

TransmaX

XO *pump*

XO Series
High Efficiency



ISO 2858 / 5199 Standard
BACK PULL- OUT CENTRIFUGAL PUMP

XO Series -- Bare Shaft Pumps

The XO Series of pumps complies fully to the international standard ISO 2858 and ISO 5199

Design Features

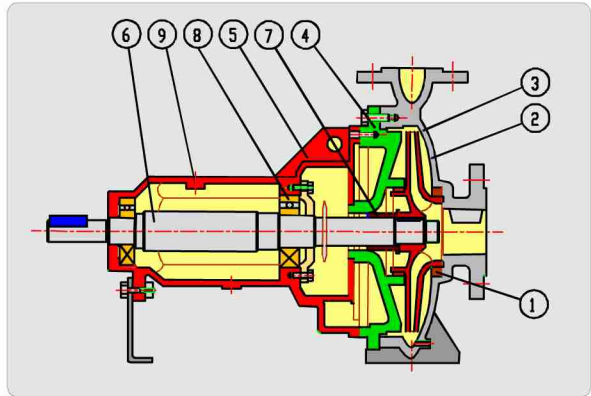
This pump includes the back pull-out design, and when a suitable spacer coupling is fitted to a direct coupled unit, the casing and motor can remain in position while all other pump parts can be removed for simple and quick maintenance.

The volute casing is fitted with a replaceable wear ring and has a suction vane to give smooth flow into the double shrouded hydraulically balanced impeller.

Only five shaft assemblies are required to cover the total range and this gives many common interchangeable parts for pumps fitted to the same shaft.

The standard pump is fitted with a mechanical seal chamber.

Pumps can be supplied as a bare shaft unit, or in many other arrangements, including complete with coupling, guard, base plate and either electric motor or engine.



Technical Information

36 Sizes in the range

Capacity to 1600 m³/h

Head to 160 m

Maximum Temperature

With standard mechanical seal 10°C to 140 °C.

Maximum Pressure

Operating pressure 1.6 MPa to 2.4 MPa

Maximum test pressure 3.6 MPa.

Maximum Speed

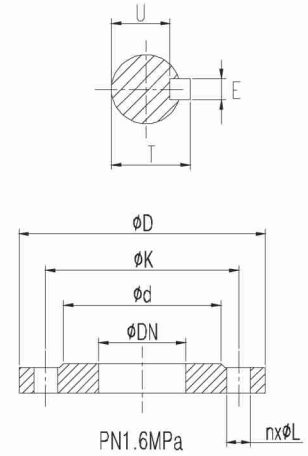
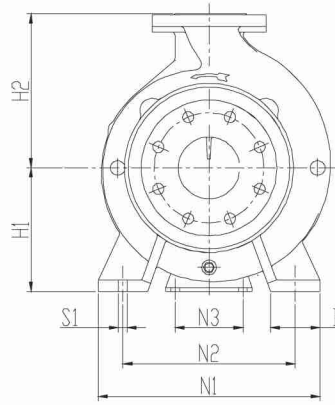
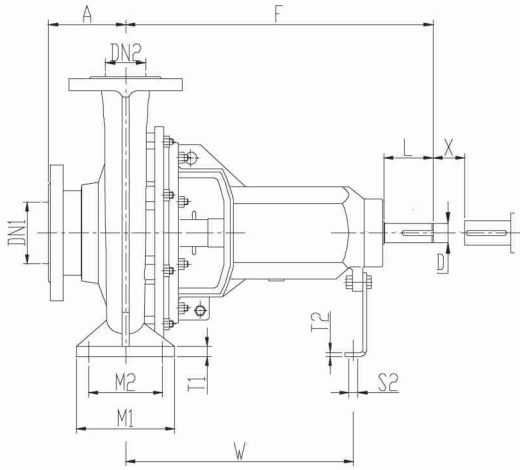
Maximum direct coupled speed for pumps varies between 3600 RPM and 1500 RPM depending upon pump size and method of drive.

1. Wear rings-fitted as standard, replaceable front and rear wear rings with optional materials, for a trouble free lifecycle.
2. Bronze impeller-in a closed design is fitted as standard to prevent corrosion in stationary or inactive situations. Cast iron, 304SS or 316SS are available on request. The use of 3-D solid model computer aided, Design(CAD) and computational Fluid, Dynamics (CFD) ensures high efficiencies, reducing overall running costs. Impeller diameters can be trimmed to suit specified performance.
3. Pump Casing-high efficiency Cast Iron volute castings, with flanges rated to PN 1.6MPa(16bar), Material options: Cast iron, 304SS or 316 SS.
4. Casing O-ring re-usable O-rings in NBR for ease of re-assembly (optional materials available).
5. Back pull-out design allowing for easy removal of rotating elements without disturbing the pipe work, lagging, motor of pump volute casing. This is proven to reduce downtime whilst performing routing maintenance.
6. Enlarged Shaft reduces shaft deflection. Standard in 420SS and 304SS or 316SS as an option. Tapered and keyed shaft design allowing ease of removal in maintenance and positive locking whilst in operation.
7. Shaft seal single, high quality mechanical seal with Carbon vs Ceramic fitted as standard with other options such as silicone vs silicone or high temp also available.
8. Bearings Heavy duty NTN/NSK or approved equivalent, greased for life, reducing maintenance. Housed within removable bearing cap cover assembly, protected by a quality manufactured lip seal reducing ingress of moisture or foreign matter.
9. Bearing housing Robust/heavy duty, manufactured in high strength cast iron providing trouble free life cycle.

Applications

- Circulation of liquids
- Condenser water
- Heating Water
- Irrigation
- HVAC
- Dewatering
- Mineral processing
- Dust suppression
- Chemical transfer

Outline & Installing Dimension Of XO Series



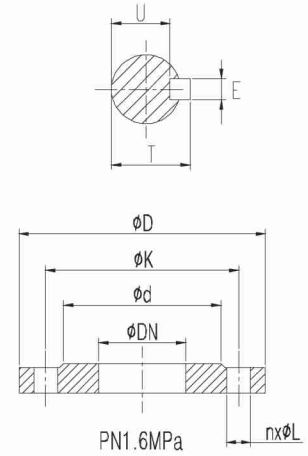
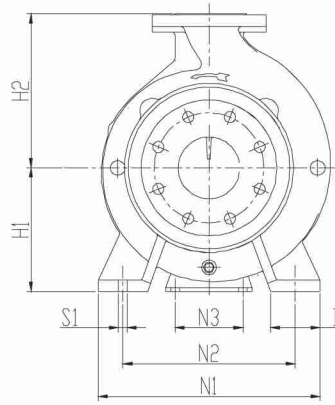
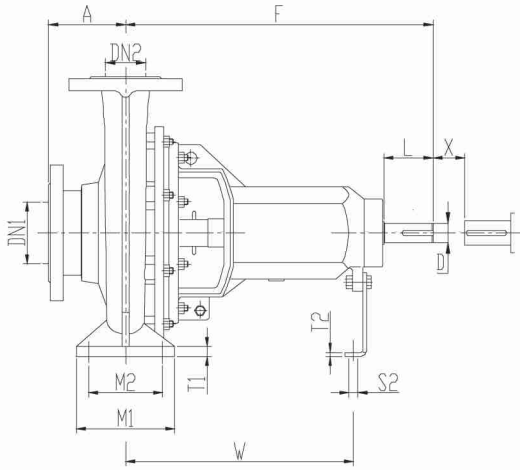
Pump Model	Shaft No.	Flange Size		Pump Dimensions								Foot Dimensions				Bolt Holes		Shaft End					Spacer	Weight (kgs)	
		DN1	DN2	A	F	H1	H2	B	M1	M2	N1	N2	N3	W	T1	T2	S1	S2	D	L	T	E	U		X≥
50×32-160	1	50	32	80	385	132	160	50	100	70	240	190	110	285	10	6	M12	M12	24	50	27	8	20	100	38
50×32-200	1	50	32	80	385	160	180	50	100	70	240	190	110	285	10	6	M12	M12	24	50	27	8	20	100	46
65×40-200	1	65	40	100	385	160	180	50	100	70	265	212	110	285	12	6	M12	M12	24	50	27	8	20	100	48
65×40-250	2	65	40	100	500	180	225	65	125	95	320	250	110	370	12	6	M12	M12	32	80	35	10	27	100	70
65×40-315	2	65	40	125	500	200	250	65	125	95	345	280	110	370	15	6	M12	M12	32	80	35	10	27	100	80
65×50-160	1	65	50	80	385	132	160	50	100	70	240	190	110	285	11	6	M12	M12	24	50	27	8	20	100	40
80×50-200	1	80	50	100	385	160	200	50	100	70	265	212	110	285	11	6	M12	M12	24	50	27	8	20	100	52
80×50-250	2	80	50	125	500	180	225	65	125	95	320	250	110	370	14	6	M12	M12	32	80	35	10	27	100	72
80×50-315	2	80	50	125	500	225	280	65	125	95	345	280	110	370	16	6	M12	M12	32	80	35	10	27	100	87
80×65-160	1	80	65	100	385	160	180	50	100	70	265	212	110	285	11	6	M12	M12	24	50	27	8	20	100	46
100×65-200	2	100	65	100	500	180	225	65	125	95	320	250	110	370	12	6	M12	M12	32	80	35	10	27	140	70
100×65-250	2	100	65	125	500	200	250	80	160	120	360	280	110	370	14	6	M16	M12	32	80	35	10	27	140	80
100×65-315	3	100	65	125	530	225	280	80	160	120	400	315	110	370	16	6	M16	M12	42	110	45	12	37	140	118
100×80-160	2	100	65	100	500	160	200	65	125	95	280	212	110	370	12	6	M12	M12	32	80	35	10	27	100	68
125×80-400	3	125	80	125	530	280	355	80	160	120	435	355	110	370	18	6	M16	M12	42	110	45	12	37	140	165
125×100-200	2	125	100	125	500	200	280	80	160	120	360	280	110	370	16	6	M16	M12	32	80	35	10	27	140	85
125×100-250	3	125	100	140	530	225	280	80	160	120	400	315	110	370	17	6	M16	M12	42	110	45	12	37	140	126
125×100-315	3	125	100	140	530	250	315	80	160	120	400	315	110	370	18	6	M16	M12	42	110	45	12	37	140	135
125×100-400	3	125	100	140	530	280	355	100	200	150	500	400	110	370	18	6	M20	M12	42	110	45	12	37	140	175
125×100-500	4	125	100	160	670	355	450	100	200	150	550	450	110	500	22	10	M20	M16	48	110	52	14	42.5	180	313
150×125-250	3	150	125	140	530	250	355	80	160	120	400	315	110	370	18	6	M16	M12	42	110	45	12	37	140	140
150×125-315	3	150	125	140	530	280	355	100	200	150	500	400	110	370	18	6	M20	M12	42	110	45	12	37	140	150
150×125-400	3	150	125	140	530	315	400	100	200	150	500	400	110	370	20	6	M20	M12	42	110	45	12	37	140	186
150×125-500	4	150	125	160	670	355	450	100	200	150	550	450	140	500	22	10	M20	M16	48	110	52	14	42.5	180	336
200×150-315	4	200	150	160	670	315	400	100	200	150	550	450	140	500	24	10	M20	M16	48	110	52	14	42.5	180	222
200×150-400	4	200	150	160	670	315	450	100	200	150	550	450	140	500	22	10	M20	M16	48	110	52	14	42.5	180	300
200×150-500	4	200	150	160	670	400	500	100	200	150	550	450	140	500	22	10	M20	M16	48	110	52	14	42.5	180	382
250×200-200	4	250	200	180	670	315	450	100	200	150	550	450	140	500	22	10	M20	M16	48	110	52	14	42.5	180	345
250×200-250	5	250	200	180	885	315	450	100	200	150	550	450	180	670	25	12	M24	M16	65	140	69	18	58	250	490
250×200-315	4	250	200	180	670	315	450	100	200	150	550	450	140	500	22	10	M20	M16	48	110	52	14	42.5	180	277
250×200-400	4	250	200	180	670	355	500	100	200	150	550	450	140	500	23	10	M20	M16	48	110	52	14	42.5	180	340
250×200-500	5	250	200	225	885	400	580	150	315	250	760	630	180	670	28	12	M24	M16	65	140	69	18	58	250	495
300×250-250	5	300	250	225	885	355	560	125	250	190	630	500	180	670	24	12	M24	M16	65	140	69	18	58	250	360
300×250-315	4	300	250	225	670	355	500	125	250	190	690	560	180	500	24	10	M20	M16	48	110	52	14	42.5	180	350
300×250-400	5	300	250	225	885	450	560	150	250	190	690	560	180	670	28	12	M24	M16	65	140	69	18	58	250	480
300×250-500	5	300	250	225	885	450	630	150	315	250	760	630	180	670	28	12	M24	M16	65	140	69	18	58	250	530

Standard flange: GB/T 17241.6-1998 (ISO7005.2:1988), PN 1.6MPa

DN	32	40	50	65	80	100	125	150	200	250	300
φd	76	84	99	118	132	156	184	211	266	319	370
φK	100	110	125	145	160	180	210	240	295	355	410
φD	140	150	165	185	200	220	250	285	340	405	460
n x φL	φ18×4	φ18×4	φ18×4	φ18×4	φ18×8	φ18×8	φ18×8	φ22×8	φ22×12	φ26×12	φ26×12

- Notes: 1. Optional Flange: AS2129-1982, ANSI 16.1-1975, JISB 2210-1984
 2. Dimension in mm, Weight in Kgs
 3. Gap (X) necessary for the withdrawal of bearing housing, back cover and impeller assembly towards the drive end

Outline & Installing Dimension Of XO Series



Pump Model	Shaft No.	Flange Size		Pump Dimensions								Foot Dimensions						Bolt Holes		Shaft End					Spacer	Weight (kgs)
		DN1	DN2	A	F	H1	H2	B	M1	M2	N1	N2	N3	W	T1	T2	S1	S2	D	L	T	E	U	X≥		
50×32-160	1	50	32	80	385	132	160	50	100	70	240	190	110	285	10	6	M12	M12	24	50	27	8	20	100	38	
50×32-200	1	50	32	80	385	160	180	50	100	70	240	190	110	285	10	6	M12	M12	24	50	27	8	20	100	46	
65×40-200	1	65	40	100	385	160	180	50	100	70	265	212	110	285	12	6	M12	M12	24	50	27	8	20	100	48	
65×40-250	2	65	40	100	500	180	225	65	125	95	320	250	110	370	12	6	M12	M12	32	80	35	10	27	100	70	
65×40-315	2	65	40	125	500	200	250	65	125	95	345	280	110	370	15	6	M12	M12	32	80	35	10	27	100	80	
65×50-160	1	65	50	80	385	132	160	50	100	70	240	190	110	285	11	6	M12	M12	24	50	27	8	20	100	40	
80×50-200	1	80	50	100	385	160	200	50	100	70	265	212	110	285	11	6	M12	M12	24	50	27	8	20	100	52	
80×50-250	2	80	50	125	500	180	225	65	125	95	320	250	110	370	14	6	M12	M12	32	80	35	10	27	100	72	
80×50-315	2	80	50	125	500	225	280	65	125	95	345	280	110	370	16	6	M12	M12	32	80	35	10	27	100	87	
80×65-160	1	80	65	100	385	160	180	50	100	70	265	212	110	285	11	6	M12	M12	24	50	27	8	20	100	46	
100×65-200	2	100	65	100	500	180	225	65	125	95	320	250	110	370	12	6	M12	M12	32	80	35	10	27	140	70	
100×65-250	2	100	65	125	500	200	250	80	160	120	360	280	110	370	14	6	M16	M12	32	80	35	10	27	140	80	
100×65-315	3	100	65	125	530	225	280	80	160	120	400	315	110	370	16	6	M16	M12	42	110	45	12	37	140	118	
100×80-160	2	100	65	100	500	160	200	65	125	95	280	212	110	370	12	6	M12	M12	32	80	35	10	27	100	68	
125×80-400	3	125	80	125	530	280	355	80	160	120	435	355	110	370	18	6	M16	M12	42	110	45	12	37	140	165	
125×100-200	2	125	100	125	500	200	280	80	160	120	360	280	110	370	16	6	M16	M12	32	80	35	10	27	140	85	
125×100-250	3	125	100	140	530	225	280	80	160	120	400	315	110	370	17	6	M16	M12	42	110	45	12	37	140	126	
125×100-315	3	125	100	140	530	250	315	80	160	120	400	315	110	370	18	6	M16	M12	42	110	45	12	37	140	135	
125×100-400	3	125	100	140	530	280	355	100	200	150	500	400	110	370	18	6	M20	M12	42	110	45	12	37	140	175	
125×100-500	4	125	100	160	670	355	450	100	200	150	550	450	110	500	22	10	M20	M16	48	110	52	14	42.5	180	313	
150×125-250	3	150	125	140	530	250	355	80	160	120	400	315	110	370	18	6	M16	M12	42	110	45	12	37	140	140	
150×125-315	3	150	125	140	530	280	355	100	200	150	500	400	110	370	18	6	M20	M12	42	110	45	12	37	140	150	
150×125-400	3	150	125	140	530	315	400	100	200	150	500	400	110	370	20	6	M20	M12	42	110	45	12	37	140	186	
150×125-500	4	150	125	160	670	355	450	100	200	150	550	450	140	500	22	10	M20	M16	48	110	52	14	42.5	180	336	
200×150-315	4	200	150	160	670	315	400	100	200	150	550	450	140	500	24	10	M20	M16	48	110	52	14	42.5	180	222	
200×150-400	4	200	150	160	670	315	450	100	200	150	550	450	140	500	22	10	M20	M16	48	110	52	14	42.5	180	300	
200×150-500	4	200	150	160	670	400	500	100	200	150	550	450	140	500	22	10	M20	M16	48	110	52	14	42.5	180	382	
250×200-200	4	250	200	180	670	315	450	100	200	150	550	450	140	500	22	10	M20	M16	48	110	52	14	42.5	180	345	
250×200-250	5	250	200	180	885	315	450	100	200	150	550	450	180	670	25	12	M24	M16	65	140	69	18	58	250	490	
250×200-315	4	250	200	180	670	315	450	100	200	150	550	450	140	500	22	10	M20	M16	48	110	52	14	42.5	180	277	
250×200-400	4	250	200	180	670	355	500	100	200	150	550	450	140	500	23	10	M20	M16	48	110	52	14	42.5	180	340	
250×200-500	5	250	200	225	885	400	580	150	315	250	760	630	180	670	28	12	M24	M16	65	140	69	18	58	250	495	
300×250-250	5	300	250	225	885	355	560	125	250	190	630	500	180	670	24	12	M24	M16	65	140	69	18	58	250	360	
300×250-315	4	300	250	225	670	355	500	125	250	190	690	560	180	500	24	10	M20	M16	48	110	52	14	42.5	180	350	
300×250-400	5	300	250	225	885	450	560	150	250	190	690	560	180	670	28	12	M24	M16	65	140	69	18	58	250	480	
300×250-500	5	300	250	225	885	450	630	150	315	250	760	630	180	670	28	12	M24	M16	65	140	69	18	58	250	530	

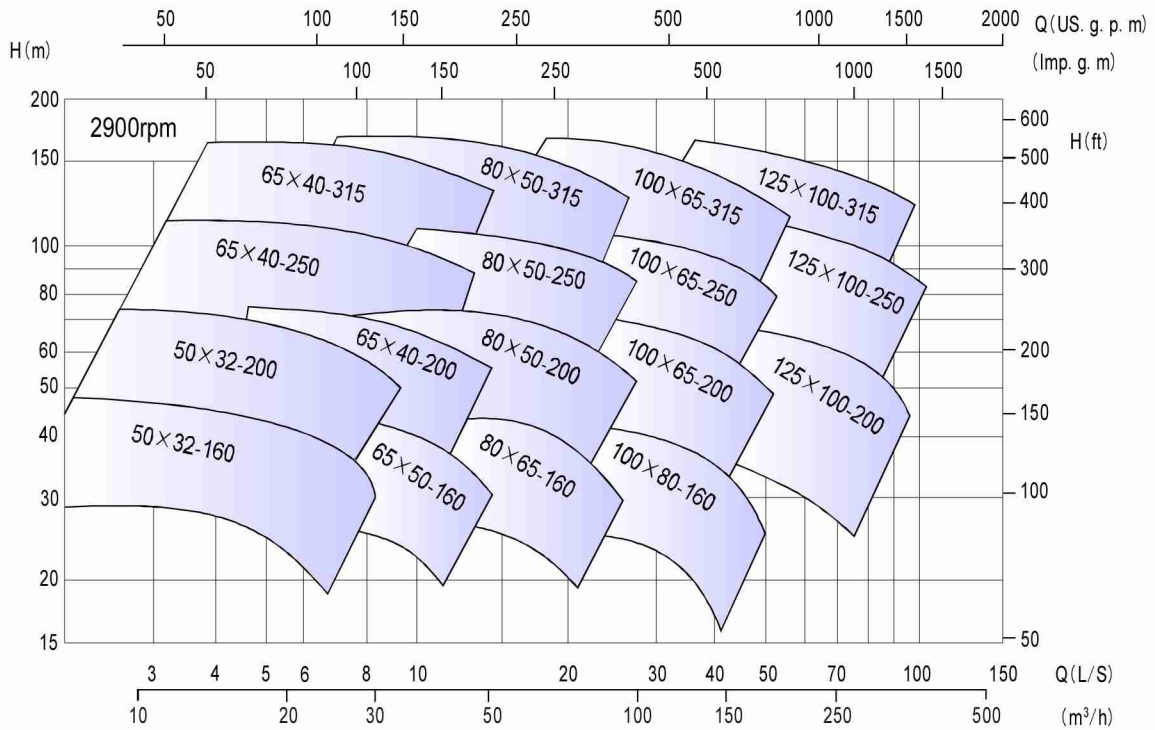
Standard flange: GB/T 17241.6-1998 (ISO7005.2:1988), PN 1.6MPa

DN	32	40	50	65	80	100	125	150	200	250	300
φd	76	84	99	118	132	156	184	211	266	319	370
φK	100	110	125	145	160	180	210	240	295	355	410
φD	140	150	165	185	200	220	250	285	340	405	460
n x φL	φ18×4	φ18×4	φ18×4	φ18×4	φ18×8	φ18×8	φ18×8	φ22×8	φ22×12	φ26×12	φ26×12

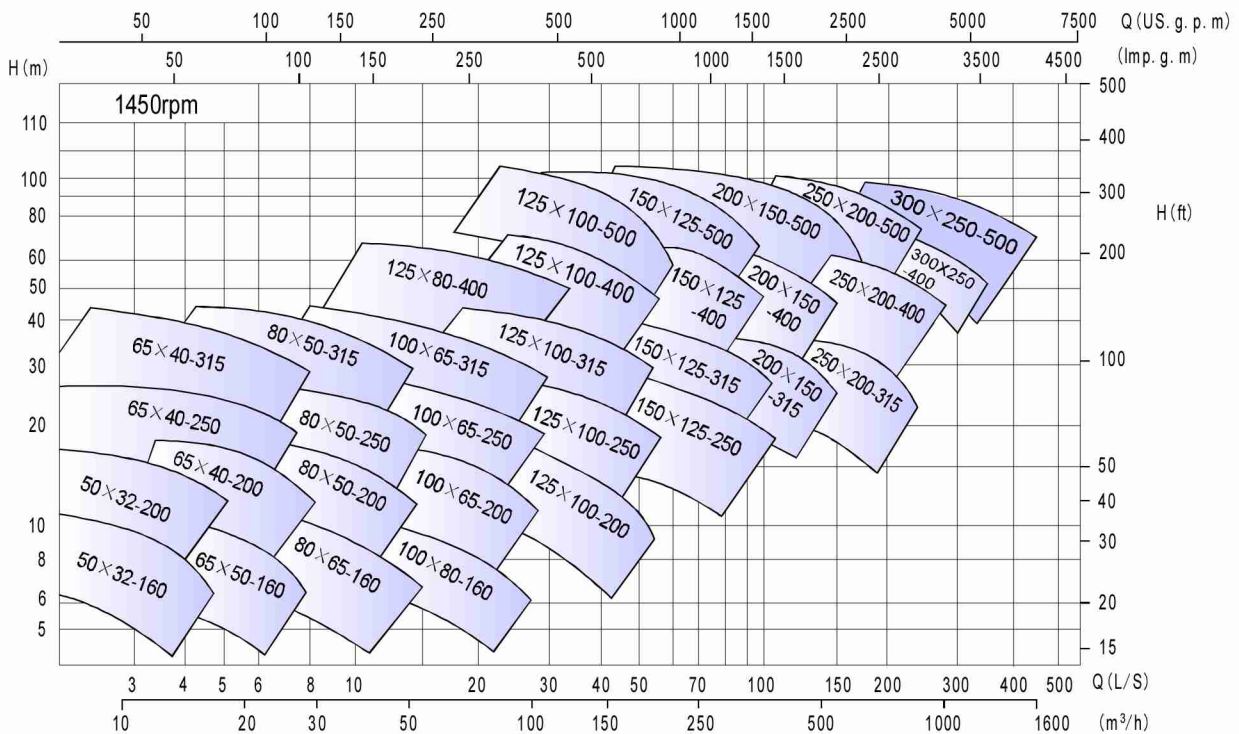
- Notes: 1. Optional Flange: AS2129-1982, ANSI 16.1-1975, JISB 2210-1984
 2. Dimension in mm, Weight in Kgs
 3. Gap (X) necessary for the withdrawal of bearing housing, back cover and impeller assembly towards the drive end

Technical Specifications in 50Hz

Performance Range 2900rpm



Performance Range 1450rpm



Distributors



For the more detailed data in 60Hz, please contact us

Transmax XO pump