

Side Channel Pumps

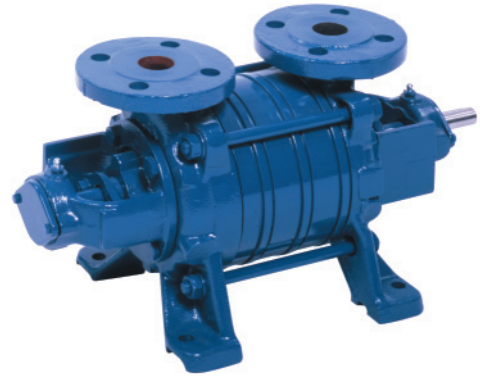
Self-priming, segmental type



AKH 1101 ... 6103

Technical data

Capacity:	from 0,2 up to 35 m ³ /h
Head:	from 6 up to 144 m
Speed:	1450 rpm (max. 1800 rpm)
Temperature:	max. 120 °C
Casing pressure:	PN 16
Shaft sealing:	stuffing box or mechanical seal
Flange connections:	DIN 2501 / PN 16
Direction of rotation:	clockwise (when seen from the drive end)



Application

The Sterling SIHI AKH pump is a self-priming side channel pump capable of handling gas along with the medium and operates at a low noise level. The AKH is suitable for trouble free handling of clean or turbid liquids without any abrasive particles.

The performance curve steepness admits a precise regulation of the pressure with a small change in capacity.

The AKH pump has been developed for a broad range of medium duty applications in:

- Chemical industry,
- Petro-Chemical industry,
- Oil industry,
- Machinery and automobile industry ,
- Food industry,
- Building trades,
- Plastic and rubber industry,
- Surface treatment,
- Ship yards.

Design

Pumps of the series AKH have a segmental type construction with open vane wheel impellers. The pump construction is either with one liquid surrounded slide bearing and one ball bearing or in a more industrial construction by using a double ball bearing design.

The program comprises 6 sizes with up to 4 stages (an extension with 5 or 6 stages is possible for certain sizes). The performance curves of the AKH are identical for all the material designs.

The applied hydraulic components are from our Modular Side Channel system (interchangeability of parts).

Construction

Casing pressure

Maximum 16 bar from -40 °C up to +120 °C.

Please observe

Technical rules and safety regulations:
Casing pressure = inlet pressure + delivery head at minimum pump capacity.

Position of branches

Suction and discharge branch point radially upwards.

Flanges

The flanges correspond to DIN EN 1092-2 / PN 16. Flange design as per DIN 2512 with groove or drilled according to ANSI 150 or 300 lbs is basically possible.

Bearing

Either by one grease lubricated ball bearing and one liquid surrounded sleeve bearing (design A) or by two grease lubricated ball bearings (design B). The ball bearings are according to DIN 625. The first grease filling is done in the factory.

Direction of rotation

Clockwise, when looking at the pump from the drive end. Anti-clockwise is possible.

Shaft sealing

The shaft can be sealed by either a stuffing box or a standard mechanical seal.

Material design AKH

Cast iron

Pos	Components	Material design		
		0A	0B	0F
1060	Suction casing	EN-GJL-250		
1070	Discharge casing			
1090 1140 1141	Intermediate piece			
2100	Shaft			
2350	Vane wheel impeller	CuZn40Al2	G-X 3 CrNiMoCuN 26 6 3 3	PAEK
0241	Bearing bush	EK 2203		

Stainless steel and Bronze

Pos	Components	Material design			
		2H*	3B	4B	4F
1060	Suction casing	EN-GJL-250	GC-CuSn 12	G-X 6 CrNiMo 18 10	
1070	Discharge casing				
1090 1140 1141	Intermediate piece	G-Sn Bz 16			
2100	Shaft	X 5 CrNiMo 17 12 2			
2350	Vane wheel impeller	G-Cu Sn chrome plated	G-Cu Sn chrome plated	G-X 3 CrNiMoCuN 26 6 3 3	PAEK
0241	Bearing bush	EK 2203			

* The construction of the AKH in material 2H is conform the construction of the AKH in Cast iron (see the next page)

Casing seal

The casing can be sealed with a liquid sealing compound or soft Teflon.

Drive

By electric motor, type of construction IM B3.

General comments

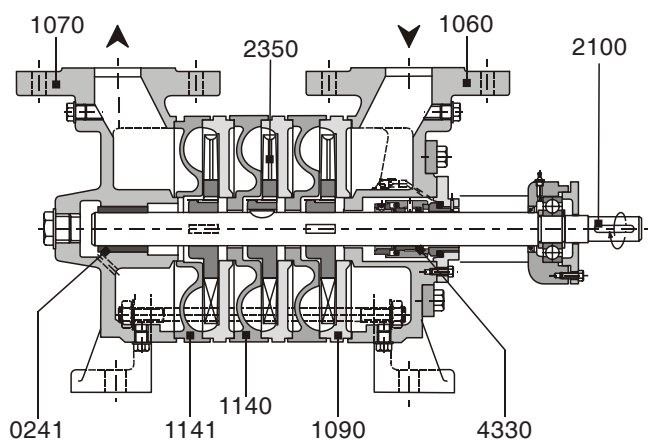
Side Channel pumps with the same hydraulic construction are manufactured in series as:

- AOH** Low duty pump with oval flanges, PN 10
- CEH** High duty pump, PN 40
Also available with magnetic coupling
- CEB** Vertical tank mounted pump, PN 25 with magnetic coupling
- CEV** Vertical tank mounted pump, PN 25 with mechanical seal (replacement for CVGP)
- AEH** High duty pump, PN 40
Also available with magnetic coupling

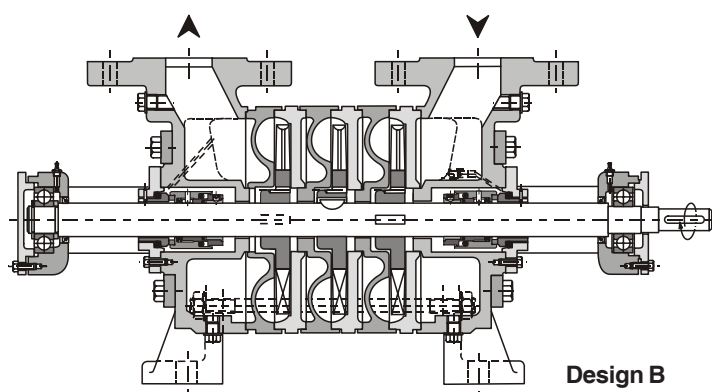
Technical documents about these pump series will be readily supplied on request.

Sectional drawing and parts list AKH (typical)

AKH in Cast iron (0A, 0B, 0F, 2H)



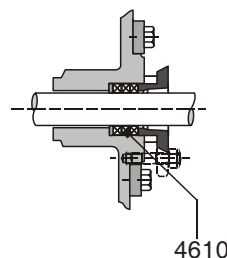
Design A
(only for sizes 1100 up to 5100)



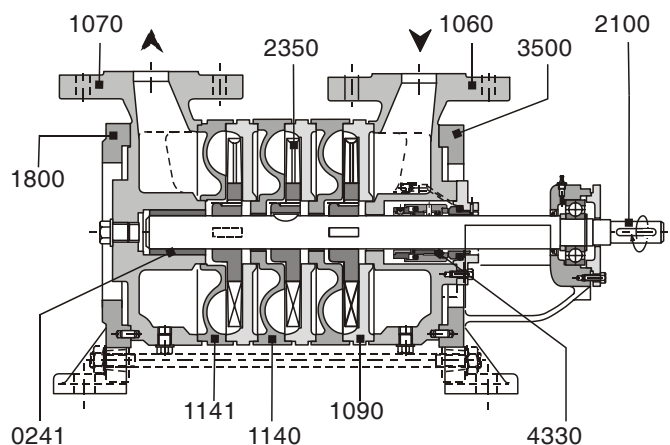
Design B

Pos.	Components
0241	Bearing bush
1060	Suction casing
1070	Discharge casing
1090	Suction intermediate piece
1140	Discharge intermediate piece
1141	Discharge intermediate piece
1800	Mounting flange
2100	Shaft
2350	Vane wheel impeller
3500	Bearing housing
4330	Mechanical seal
4610	Stuffing box

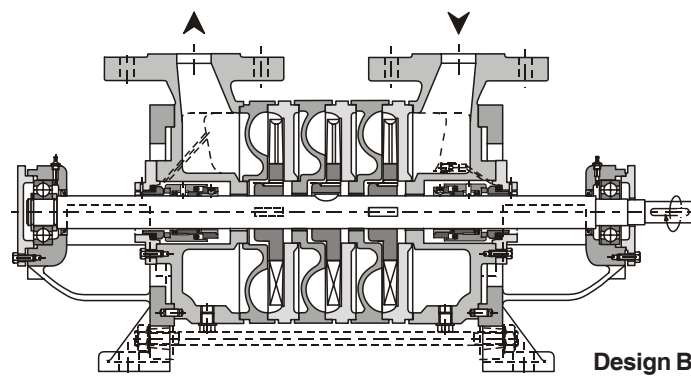
Stuffing box (available for all material designs)



AKH in Bronze (3B) and Stainless steel (4B and 4F)



Design A
(only for Stainless steel in sizes 1200 up to 5100)



Design B

All possible design combinations can be found in the delivery program

Performance range AKH

General conditions

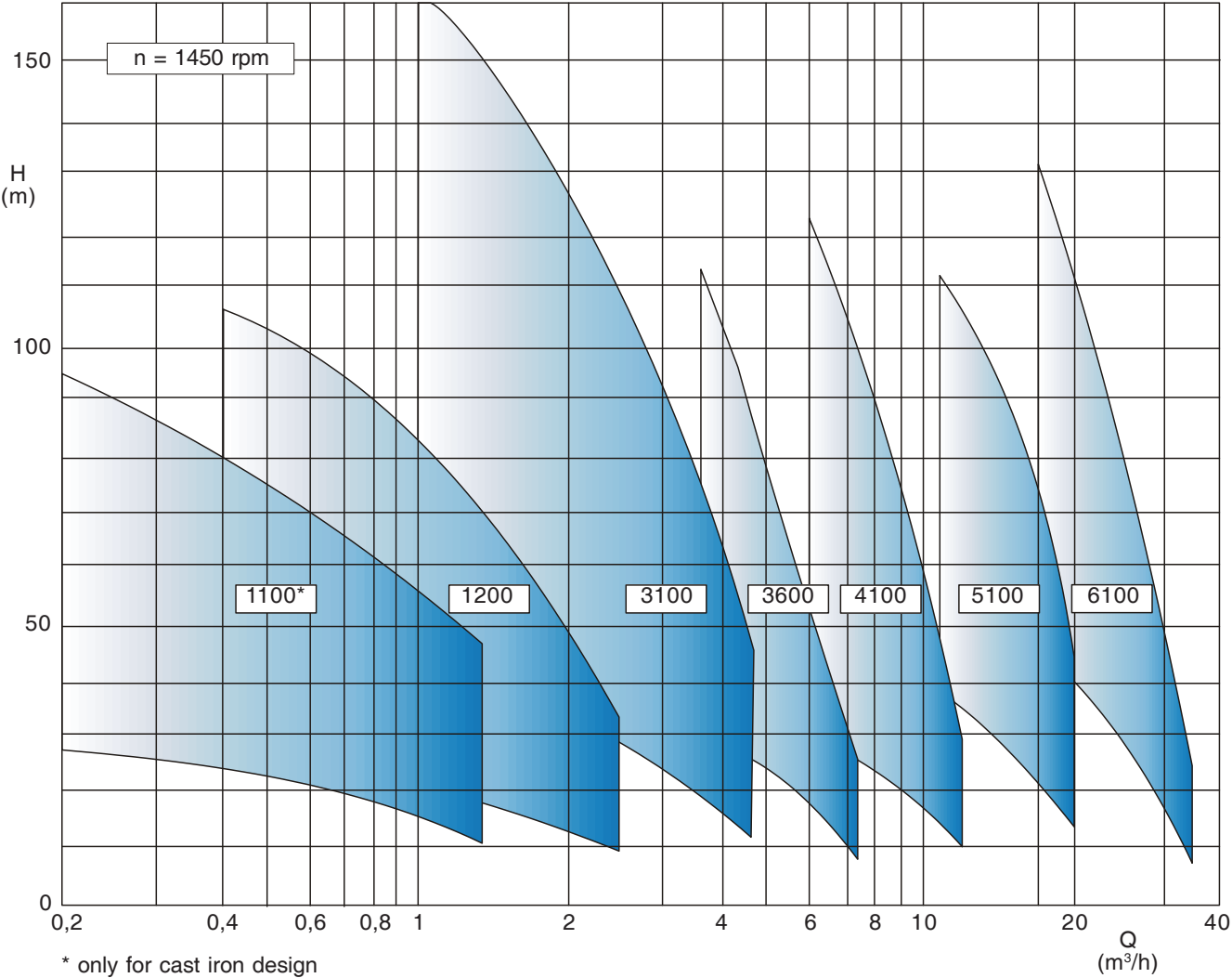
Liquid: Water
 Density: 1 kg/dm³
 Viscosity: 1 cSt
 Temperature: 20 °C
 Atmospheric pressure: 1013 mbar

Characteristic tolerances

Capacity ± 10% - Delivery head ± 10% - Power + 10%
 For designs with a mechanical seal or a casing seal of soft Teflon, the tolerance for the delivery head is extended by 2% each.

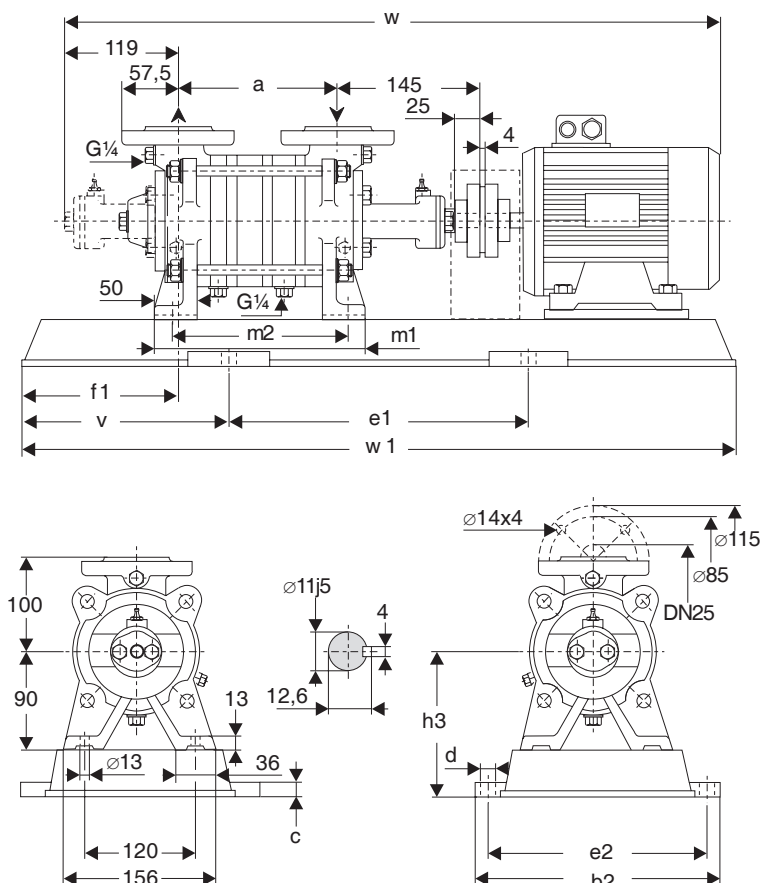
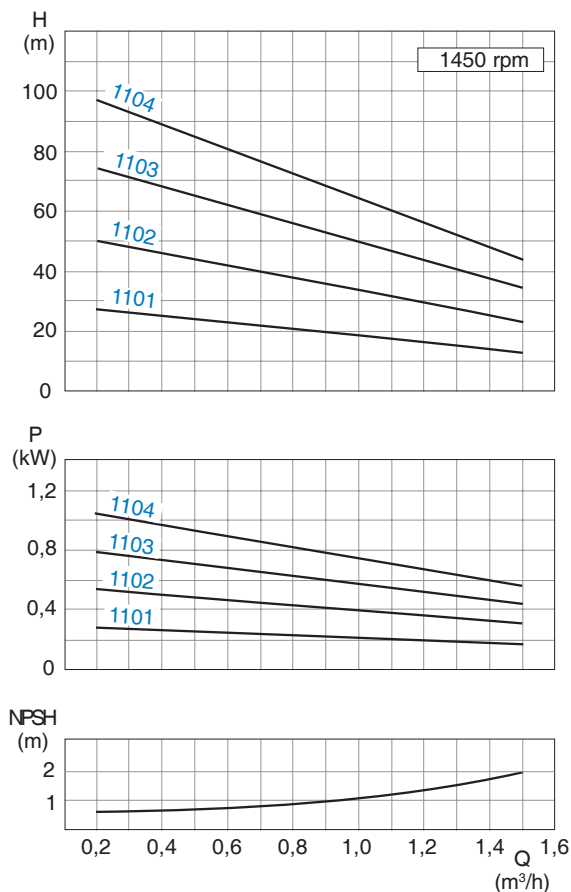
Measuring standard

According to ISO 5198



Dimension chart, Pump set drawing and Performance curves

AKH 1100 in cast iron (0A, 0B, 0F, 2H)



General:

Values are valid for water $\rho = 1 \text{ kg/dm}^3$ and $\nu = 1 \text{ cSt}$.

Characteristic tolerances:

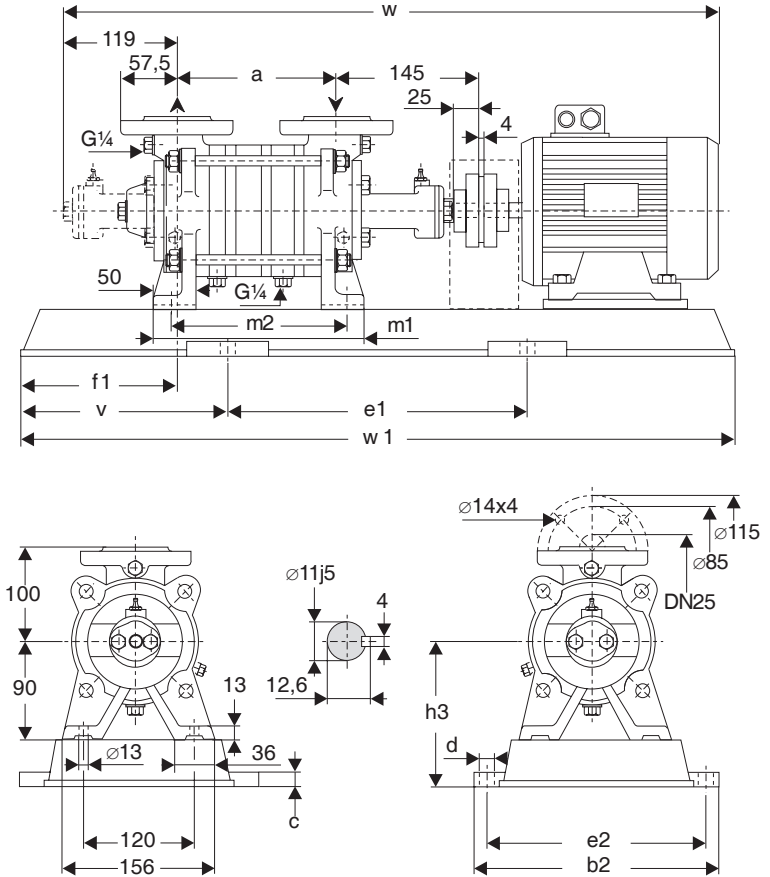
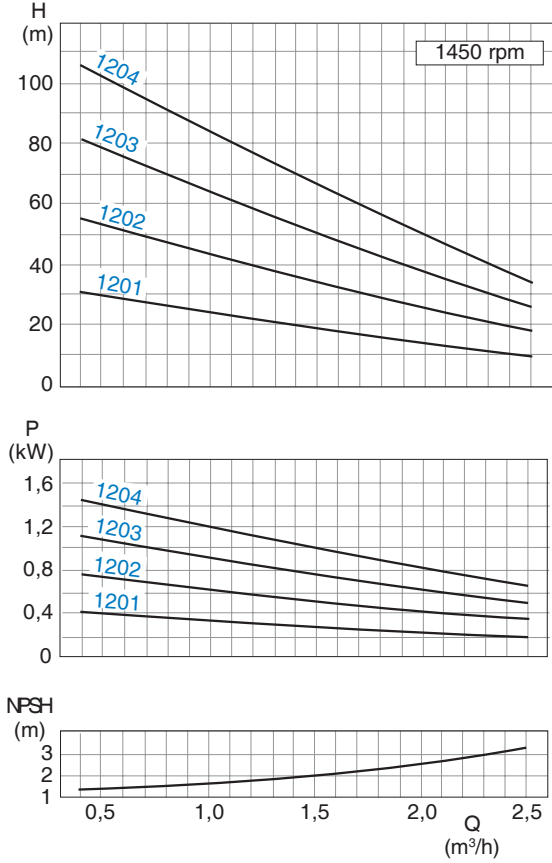
Capacity $\pm 5\%$ - Delivery head $\pm 5\%$ - Power $+ 10\%$.
For designs with a mechanical seal or casing seal of soft Teflon, the tolerance for the delivery head is extended by 2% each.

Pump size	Motor kW	Motor size	Base plate	Coupling	Weight pump set		a	b2	c	d	e1	e2	v	f1	h3	m1	m2	w*	w1
1101	0.37	71	P007	B68	14	35	120	317	20	15	350	285	110	53	125	182	146	627	570
1102	0.55	80	P007	B68	15	38	120	317	20	15	350	285	110	53	125	182	146	661	570
1103	0.75	80	P008	B68	17	45	154	297	20	15	400	265	120	53	130	216	180	695	640
	1.1	90S				753													
1104	0.75	80	P008	B68	19	50	188	297	20	15	400	265	120	53	130	250	214	729	640
	1.1	90S	P210			787												650	

* Design B - dimensions depend upon the motor brand.
The weight of the pump in design A will be approximately 1 kg less.

Dimension chart, Pump set drawing and Performance curves

AKH 1200 in cast iron (0A, 0B, 0F, 2H)



General:

Values are valid for water $\rho = 1 \text{ kg/dm}^3$ and $\nu = 1 \text{ cSt}$.

Characteristic tolerances:

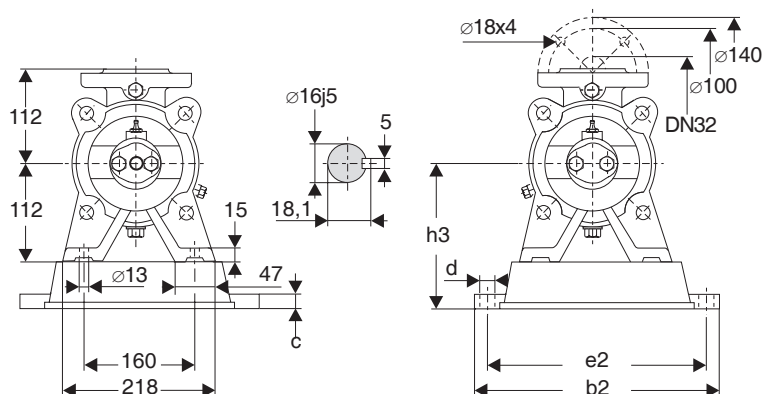
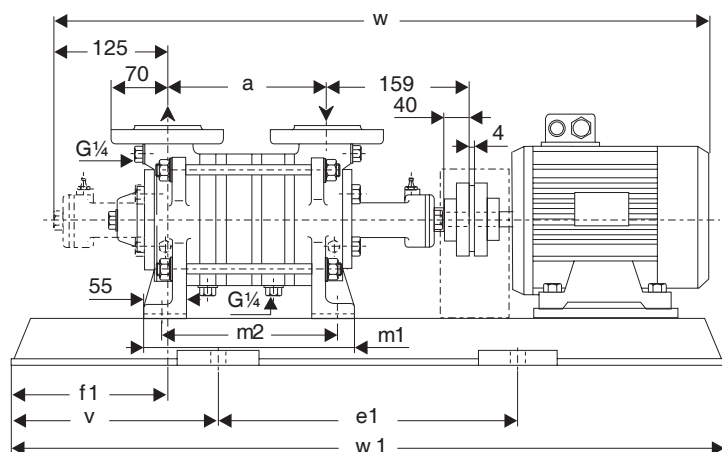
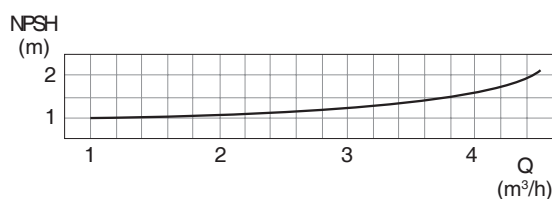
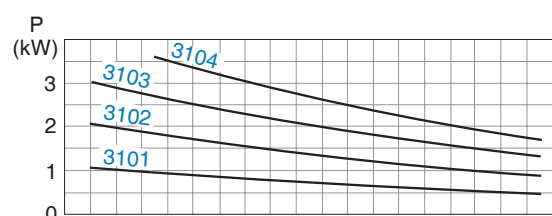
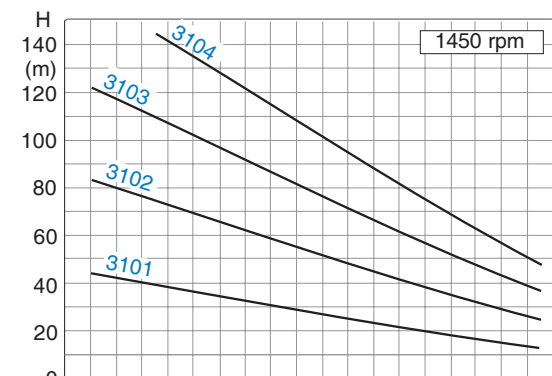
Capacity $\pm 5\%$ - Delivery head $\pm 5\%$ - Power $+ 10\%$.
 For designs with a mechanical seal or casing seal of soft Teflon, the tolerance for the delivery head is extended by 2% each.

Pump size	Motor kW	Motor size	Base plate	Coupling	Weight pump	Weight set	a	b2	c	d	e1	e2	v	f1	h3	m1	m2	w*	w1
1201	0.37	71	P007	B68	14	35	120	317	20	15	350	285	110	53	125	182	146	627	570
	0.55	80				661													
1202	0.55	80	P007	B68	15	38	120	317	20	15	350	285	110	53	125	182	146	661	570
	0.75	80				39													
1203	0.75	80	P008	B68	17	45	154	297	20	15	400	265	120	53	130	216	180	695	640
	1.1	90S				48												753	
1204	1.1	90S	P210	B68	19	52	188	300	25	19	420	260	115	53	155	250	214	787	650
	1.5	90L				P241												59	

* Design B - dimensions depend upon the motor brand.
 The weight of the pump in design A will be approximately 1 kg less.

Dimension chart, Pump set drawing and Performance curves

AKH 3100 in cast iron (0A, 0B, 0F, 2H)



General:

Values are valid for water $\rho = 1 \text{ kg/dm}^3$ and $\nu = 1 \text{ cSt}$.

Characteristic tolerances:

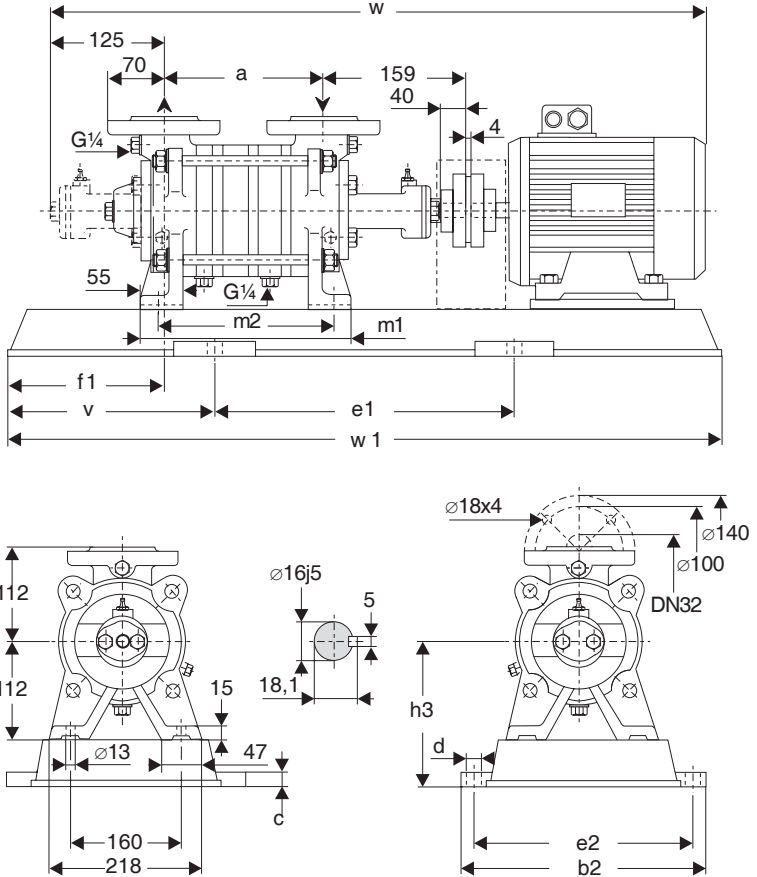
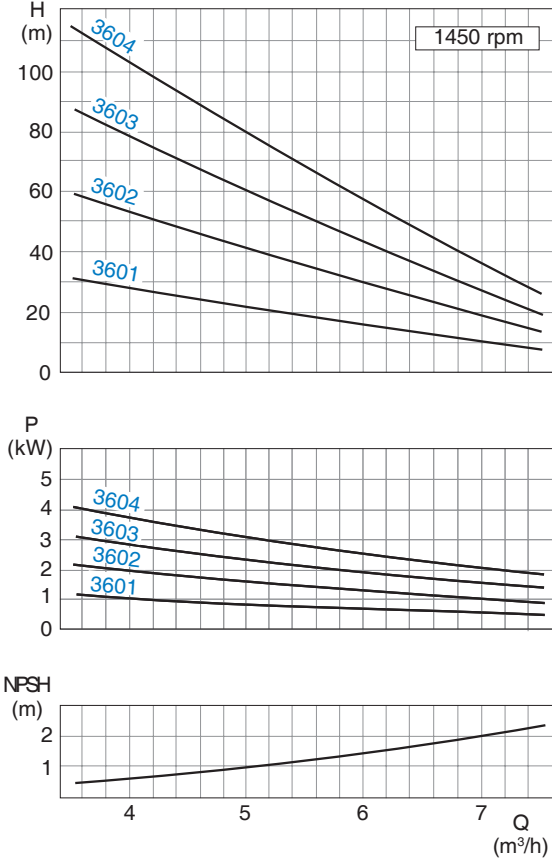
Capacity $\pm 5\%$ - Delivery head $\pm 5\%$ - Power $+ 10\%$.
For designs with a mechanical seal or casing seal of soft Teflon, the tolerance for the delivery head is extended by 2% each.

Pump size	Motor kW	Motor size	Base plate	Coupling	Weight pump	Weight set	a	b2	c	d	e1	e2	v	f1	h3	m1	m2	w*	w1
3101	0.75	80	P008	B68	22	50	145	297	20	15	400	265	120	56	152	214	178	706	640
	1.1	90S				764													
3102	1.1	90S	P008	B68	23	55	145	297	20	15	400	265	120	56	152	214	178	764	640
	1.5	90L				59													
	2.2	100L	P241	B80	70	330	25	19	480	290	125	56	177	254	218	805	730		
3103	2.2	100L	P241	B80	26	73	185	330	25	19	480	290	125	56	177	254	218	845	730
	3	100L				74													
3104	2.2	100L	P272	B80	29	80	225	360	25	19	540	320	140	56	177	294	258	885	730
	3	100L				81													
	4	112M				99												906	

* Design B - dimensions depend upon the motor brand.
The weight of the pump in design A will be approximately 2,5 kg less.

Dimension chart, Pump set drawing and Performance curves

AKH 3600 in cast iron (0A, 0B, 0F, 2H)



General:

Values are valid for water $\rho = 1 \text{ kg/dm}^3$ and $\nu = 1 \text{ cSt}$.

Characteristic tolerances:

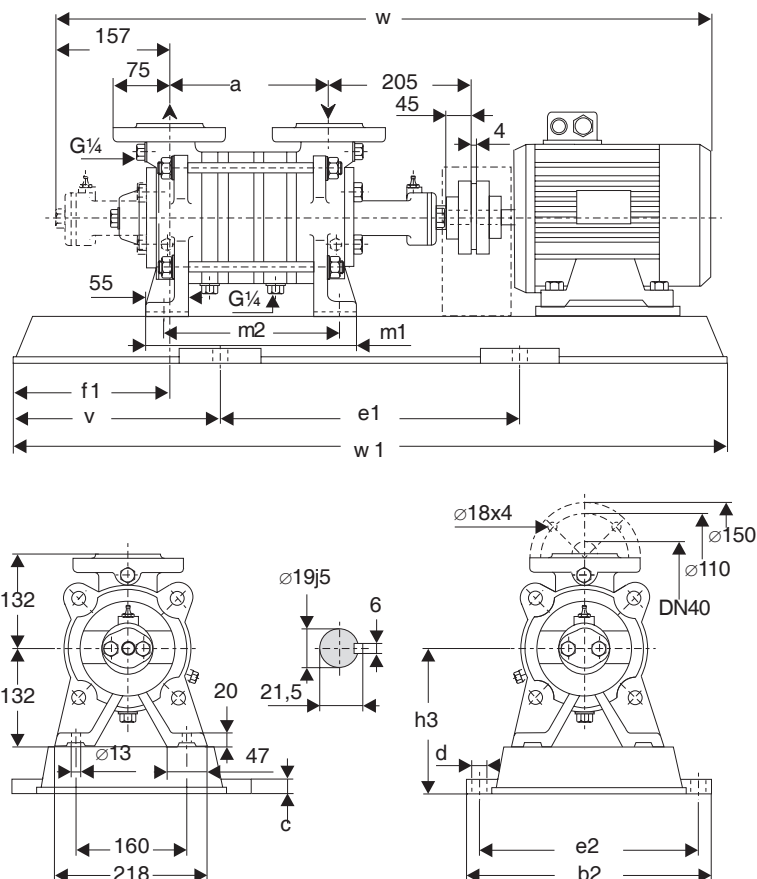
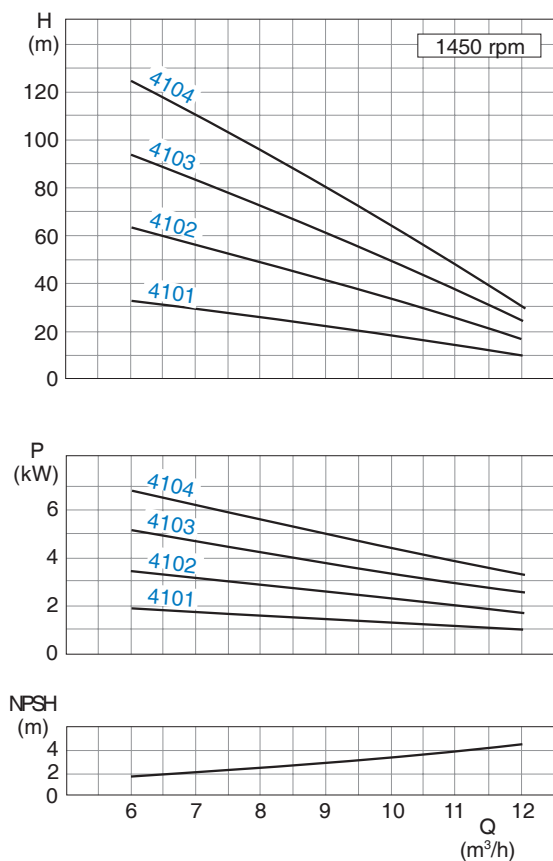
Capacity $\pm 5\%$ - Delivery head $\pm 5\%$ - Power $+ 10\%$.
 For designs with a mechanical seal or casing seal of soft Teflon, the tolerance for the delivery head is extended by 2% each.

Pump size	Motor size		Base plate	Coupling	Weight		a	b2	c	d	e1	e2	v	f1	h3	m1	m2	w*	w1
	kW	size			pump	set													
3601	0.75	80	P008	B68	22	50	145	297	20	15	400	265	120	56	152	214	178	706	640
	1.1	90S																764	
3602	1.5	90L	P008	B68	23	59	145	297	20	15	400	265	120	56	152	214	178	764	640
	2.2	100L	P241	B80														70	
3103	2.2	100L	P241	B80	26	70	185	330	25	19	480	290	125	56	177	254	218	845	730
	3	100L																73	
	4	112M																74	
3604	3	100L	P272	B80	29	81	225	360	25	19	540	320	140	56	177	294	258	885	820
	4	112M	99																
	5.5	132S	P015	B95														126	

* Design B - dimensions depend upon the motor brand.
 The weight of the pump in design A will be app. 2.5 kg less.

Dimension chart, Pump set drawing and Performance curves

AKH 4100 in cast iron (0A, 0B, 0F, 2H)



General:

Values are valid for water $\rho = 1 \text{ kg/dm}^3$ and $\nu = 1 \text{ cSt}$.

Characteristic tolerances:

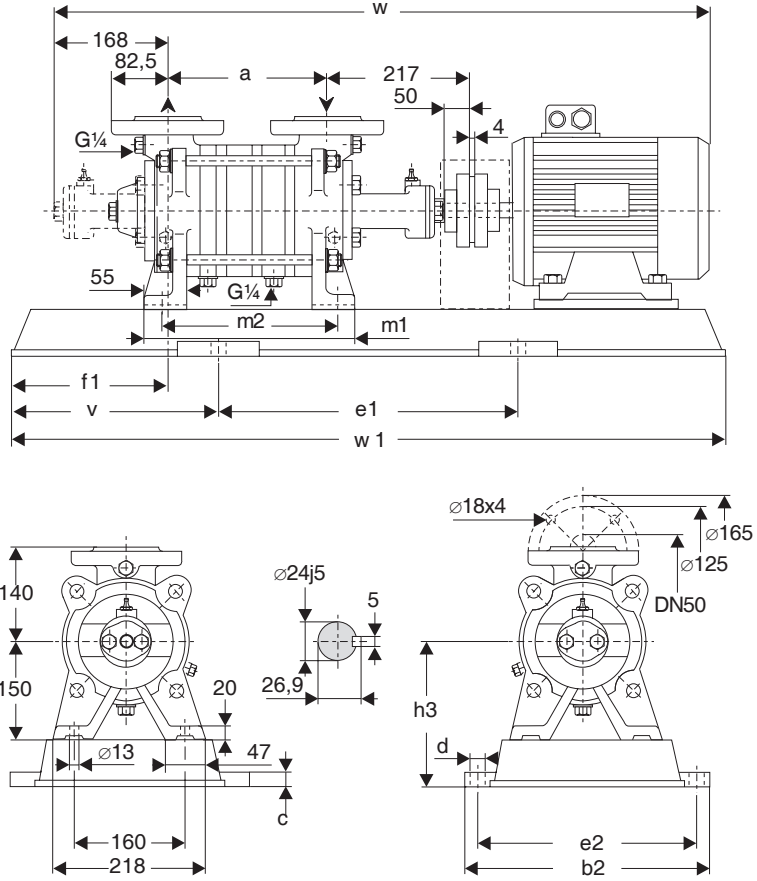
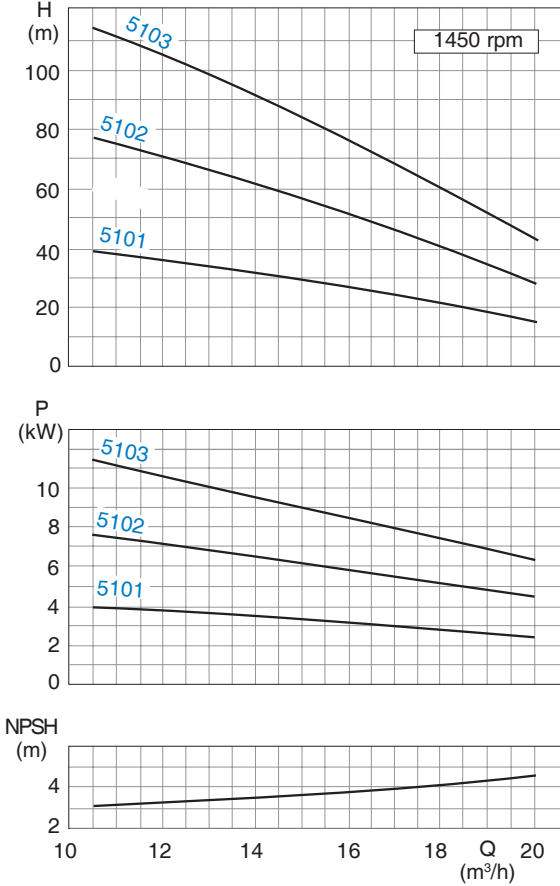
Capacity $\pm 5\%$ - Delivery head $\pm 5\%$ - Power $+ 10\%$.
For designs with a mechanical seal or casing seal of soft Teflon, the tolerance for the delivery head is extended by 2% each.

Pump size	Motor size		Base plate	Coupling	Weight set		a	b2	c	d	e1	e2	v	f1	h3	m1	m2	w*	w1
	kW	size			pump	set													
4101	1.5	90L	P241	B68	28	69	155	330	25	19	480	290	125	42	197	195	159	852	730
	2.2	100L				76												893	
4102	2.2	100L	P272	B80	34	86	210	360	25	19	540	320	140	42	197	250	214	948	820
	3	100L				87												969	
4103	4	112M	P015	B80	40	116	265	361	25	15	600	325	160	42	182	305	269	1024	920
	5.5	132S				137												1100	
4104	4	112M	P015	B80	45	121	320	361	25	15	600	325	160	42	182	360	324	1079	920
	5.5	132S				158					700		200		192			1155	
	7.5	132M	P017	B95	168	1181													

* Design B - dimensions depend upon the motor brand.
The weight of the pump in design A will be approximately 3 kg less.

Dimension chart, Pump set drawing and Performance curves

AKH 5100 in cast iron (0A, 0B, 0F, 2H)



General:

Values are valid for water $\rho = 1 \text{ kg/dm}^3$ and $\nu = 1 \text{ cSt}$.

Characteristic tolerances:

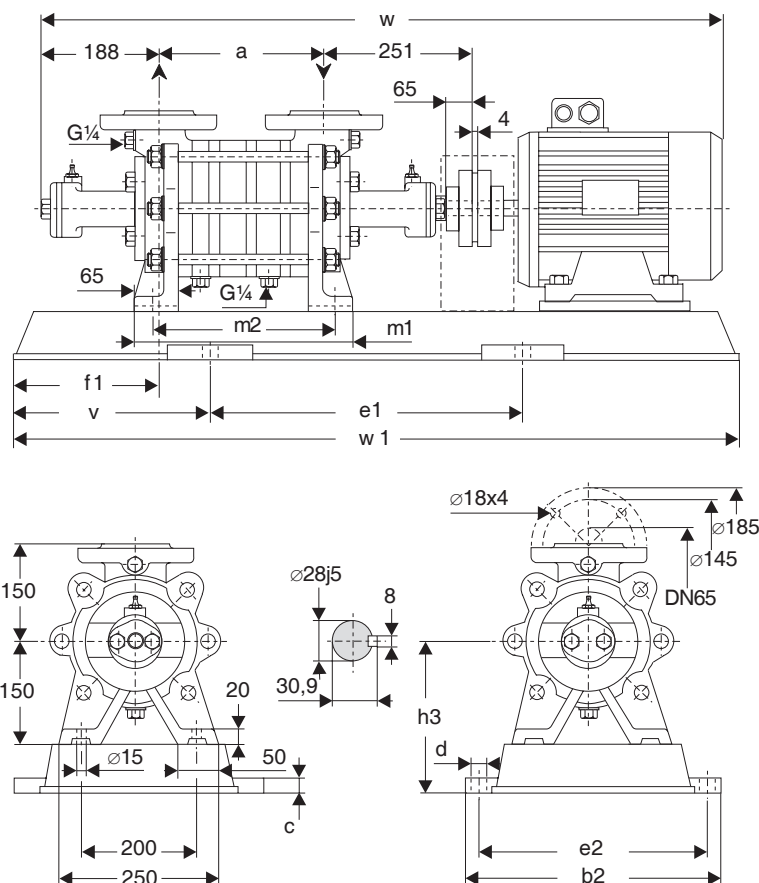
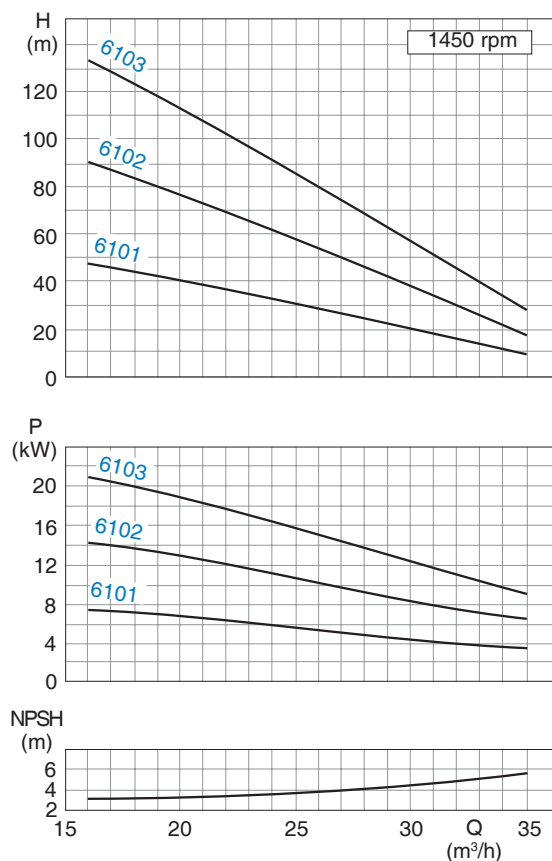
Capacity $\pm 5\%$ - Delivery head $\pm 5\%$ - Power $+ 10\%$.
 For designs with a mechanical seal or casing seal of soft Teflon, the tolerance for the delivery head is extended by 2% each.

Pump size	Motor size		Base plate	Coupling	Weight pump set		a	b2	c	d	e1	e2	v	f1	h3	m1	m2	w*		w1
	kW	size			set	set														
5101	3	100L	P272	B80	36	89	170	360	25	19	540	320	140	48	215	220	185	931	820	
	4	112M				107												952		
5102	5.5	132S	P015	B95	46	143	245	361	25	15	600	325	160	48	200	295	260	1103	920	
	7.5	132M	153			1129														
	11	160M	P344			216												1221		
5103	7.5	132M	P015	B95	55	178	320	490	30	24	700	325	200	48	210	370	335	1204	1100	
	11	160M	262			1296														
	15	160L	P385	B110		283												1358		1140

* Design B - dimensions depend upon the motor brand. The weight of the pump in design A will be app. 4 kg less.

Dimension chart, Pump set drawing and Performance curves

AKH 6100 in cast iron (0A, 0B, 0F, 2H)



General:

Values are valid for water $\rho = 1 \text{ kg/dm}^3$ and $\nu = 1 \text{ cSt}$.

Characteristic tolerances:

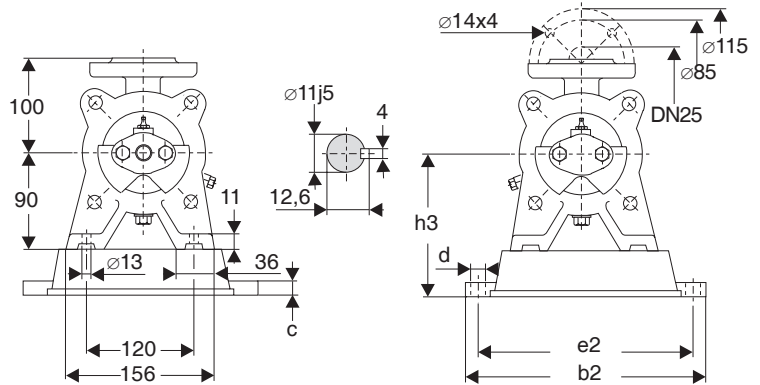
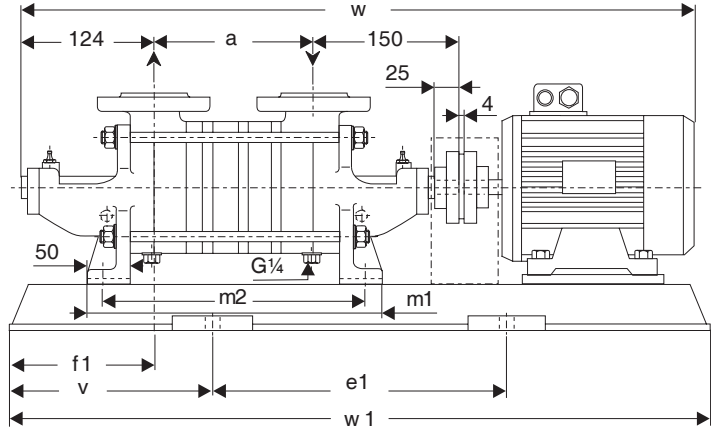
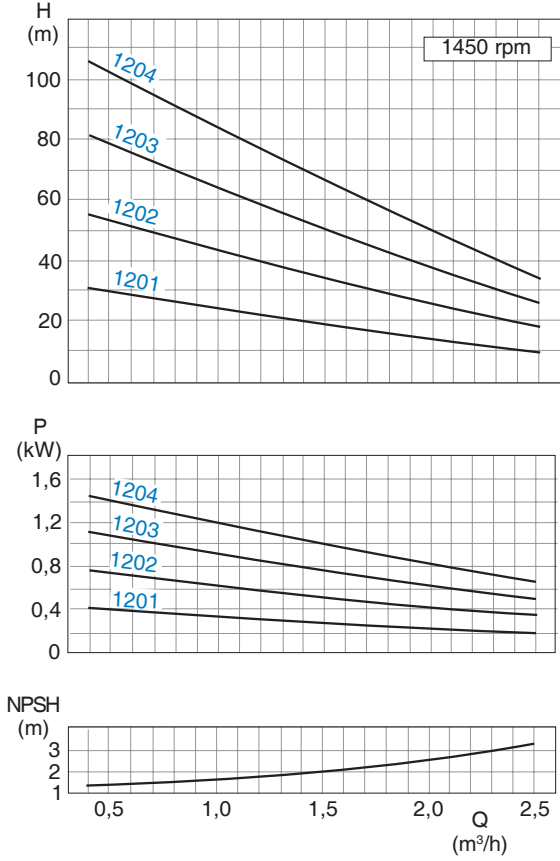
Capacity $\pm 5\%$ - Delivery head $\pm 5\%$ - Power + 10%.
For designs with a mechanical seal or casing seal of soft Teflon, the tolerance for the delivery head is extended by 2% each.

Pump size	Motor		Base plate	Coupling	Weight		a	b2	c	d	e1	e2	v	f1	h3	m1	m2	w*		w1
	kW	size			pump	set												w*	w1	
6101	5.5	132S	P015	B95	54	152	190	361	25	15	600	325	160	63	200	276	220	1102	920	
	7.5	132M				161												1128		
6102	11	160M	P385	B95	65	272	280	490	30	24	740	440	200	63	240	366	310	1310	1140	
	15	160L		B110		293												1372		
6103	18.5	180M	P436	B110	76	317	370	540	30	24	840	490	215	63	260	456	400	1524	1270	
	22	180L		B125		337														

* Dimensions depend upon the motor brand.

Dimension chart, Pump set drawing and Performance curves

AKH 1200 in Bronze and Stainless steel (3B, 4B and 4F)



General: Values are valid for water $\rho = 1 \text{ kg/dm}^3$ and $\nu = 1 \text{ cSt}$.

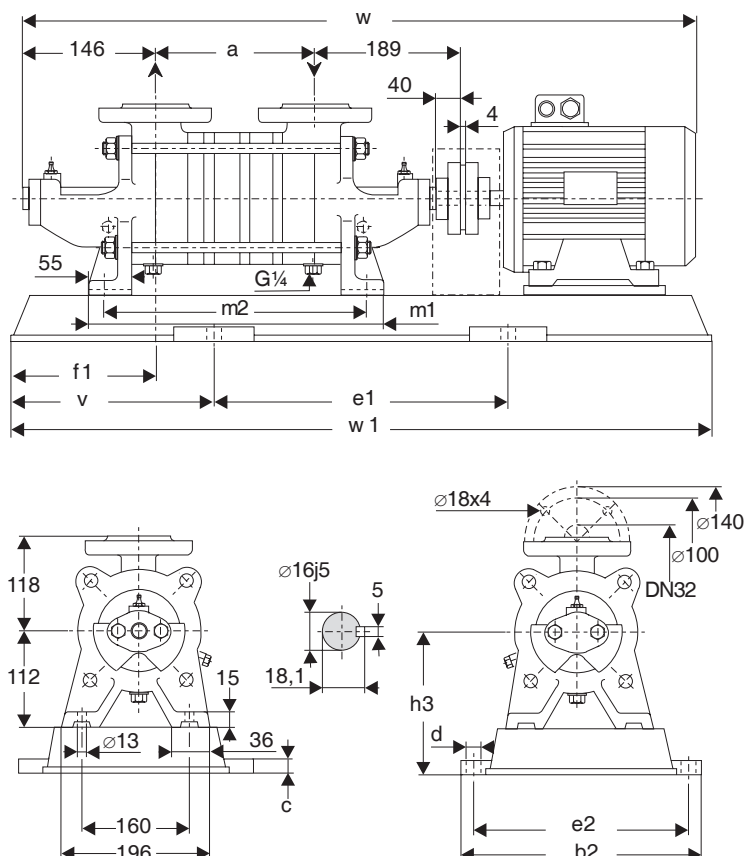
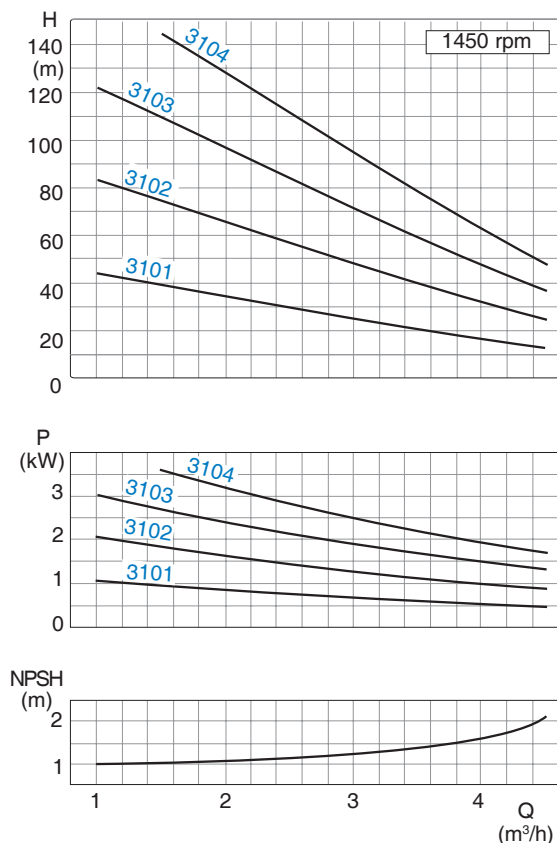
Characteristic tolerances: Capacity $\pm 5\%$ - Delivery head $\pm 5\%$ - Power $+ 10\%$.
For designs with a mechanical seal or casing seal of soft Teflon, the tolerance for the delivery head is extended by 2% each.

Pump size	Motor size		Base plate	Coupling	Weight pump set		a	b2	c	d	e1	e2	v	f1	h3	m1	m2	w*	w1
	kW	size			set	set													
1201	0.37	71	P007	B68	15	36	120	317	20	15	350	285	110	87	125	256	214	637	570
	0.55	80	P008			42													
1202	0.55	80	P008	B68	16	43	120	297	20	15	400	265	120	87	130	256	214	671	640
	0.75	80				44													
1203	0.75	80	P008	B68	18	46	154	297	20	15	400	265	120	87	130	290	248	705	640
	1.1	90S				54													
1204	1.1	90S	P241	B68	20	56	188	330	25	19	480	290	125	87	155	324	282	797	730
	1.5	90L				60													

* Design B - dimensions depend on the motor brand.
The weight of the pump in design A (only available in Stainless steel) will be approximately 1 kg less.

Dimension chart, Pump set drawing and Performance curves

AKH 3100 in Bronze and Stainless steel (3B, 4B and 4F)



General:

Values are valid for water $\rho = 1 \text{ kg/dm}^3$ and $\nu = 1 \text{ cSt}$.

Characteristic tolerances:

Capacity $\pm 5\%$ - Delivery head $\pm 5\%$ - Power $+ 10\%$.
For designs with a mechanical seal or casing seal of soft Teflon, the tolerance for the delivery head is extended by 2% each.

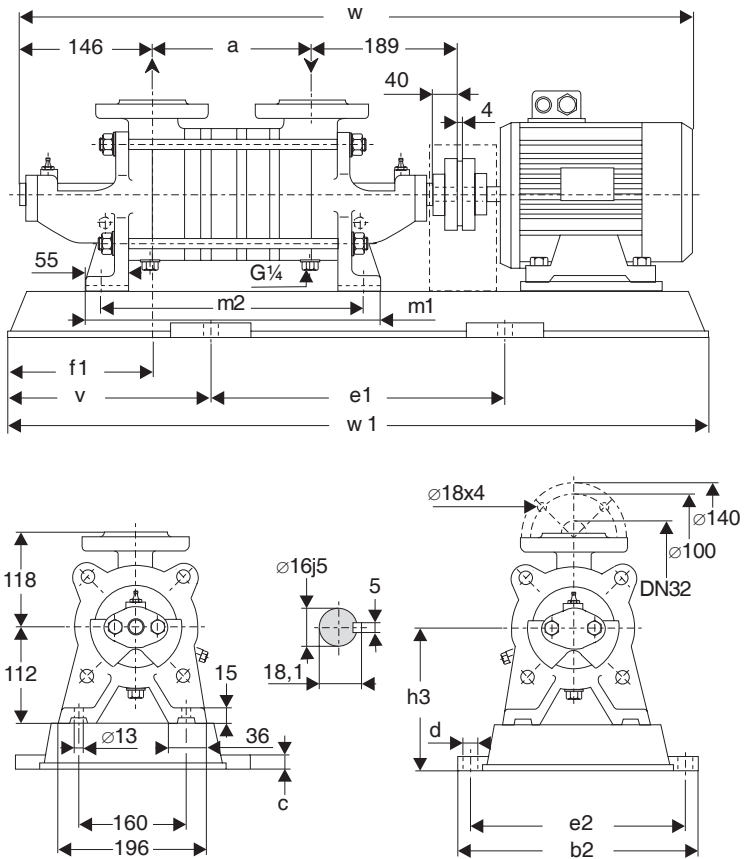
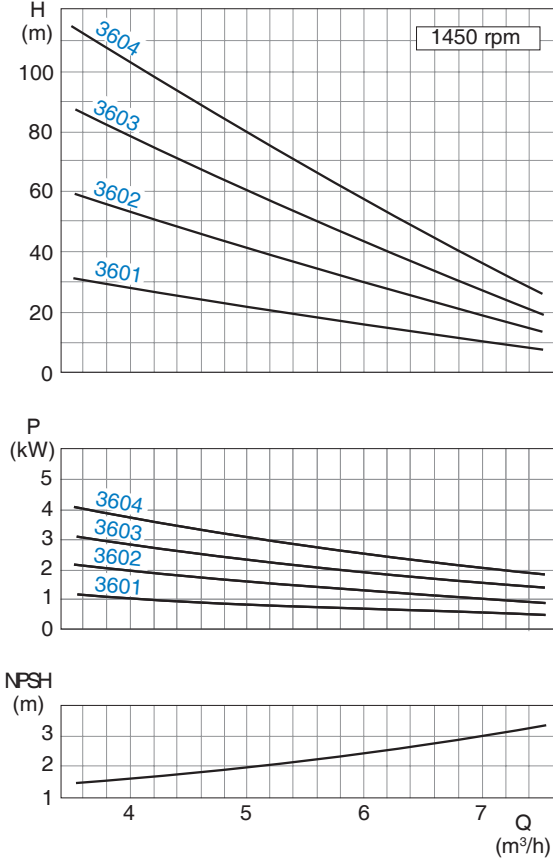
Pump size	Motor size		Base plate	Coupling	Weight pump set		a	b2	c	d	e1	e2	v	f1	h3	m1	m2	w*	w1
	kW	size			set	set													
3101	0.75	80	P241	B68	26	58	150	330	25	19	480	290	125	99	177	308	268	762	730
	1.1	90S																	
3102	1.1	90S	P241	B68	27	63	150	330	25	19	480	290	125	99	177	308	268	820	730
	1.5	90L																	
	2.2	100L	P272	B80	78	360	540	320	140	99	177	348	308	861	820				
3103	2.2	100L	P272	B80	31	82	190	360	25	19	540	320	140	99	177	348	308	901	820
	3	100L																	
3104	2.2	100L	P272	B80	34	96	230	360	25	19	540	320	140	99	177	388	348	941	820
	3	100L																	
	4	112M	P015	109	361	15	600	325	160	162	962	920							

* Design B - dimensions depend on the motor brand.

The weight of the pump in design A (only available in Stainless steel) will be approximately 2,7 kg less.

Dimension chart, Pump set drawing and Performance curves

AKH 3600 in Bronze and Stainless steel (3B, 4B and 4F)



General: Values are valid for water $\rho = 1 \text{ kg/dm}^3$ and $v = 1 \text{ cSt}$.

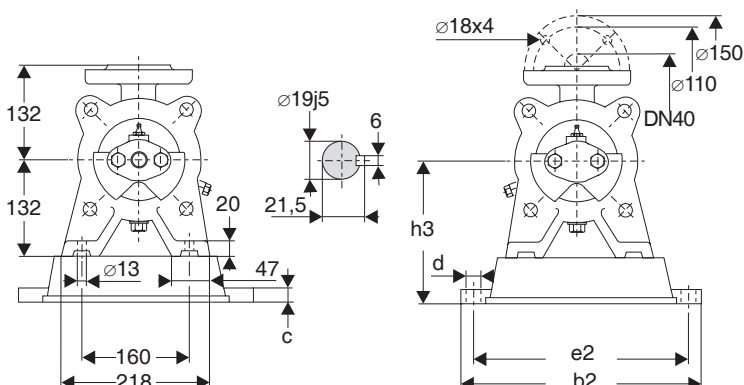
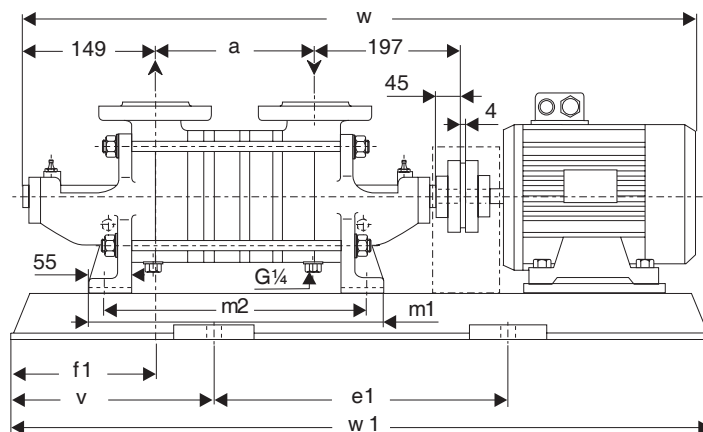
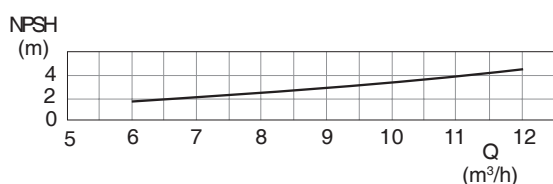
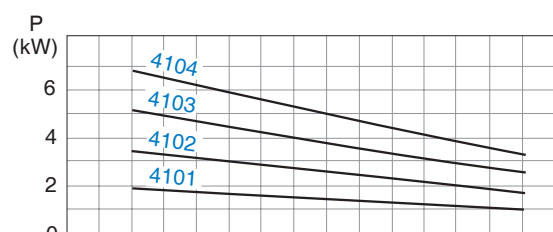
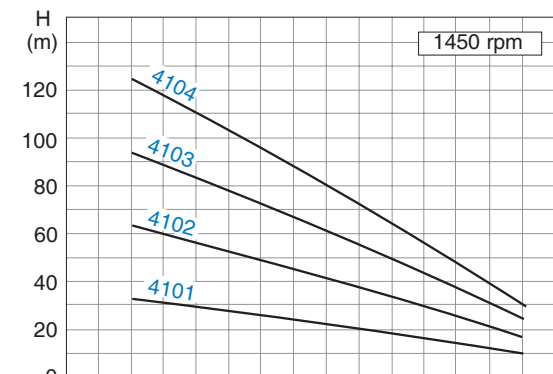
Characteristic tolerances: Capacity $\pm 5\%$ - Delivery head $\pm 5\%$ - Power $+ 10\%$.
For designs with a mechanical seal or casing seal of soft Teflon, the tolerance for the delivery head is extended by 2% each.

Pump size	Motor		Base plate	Coupling	Weight		a	b2	c	d	e1	e2	v	f1	h3	m1	m2	w*	w1
	kW	size			pump	set													
3601	0.75	80	P241	B68	26	58	150	330	25	19	480	290	125	99	177	308	268	762	730
	1.1	90S																62	
3602	1.5	90L	P241	B68	27	67	150	330	25	19	480	290	125	99	177	308	268	820	730
	2.2	100L	P272	B80														78	
3103	2.2	100L	P272	B80	31	82	190	360	25	19	540	320	140	99	177	348	308	901	820
	3	100L																83	
3604	3	100L	P272	B80	34	87	230	360	25	19	540	320	140	99	177	388	348	941	820
	4	112M																109	
	5.5	132S	P015	B95	131	361	15	600	325	160	99	162	182	1038	920				

* Design B - dimensions depend on the motor brand.
The weight of the pump in design A (only available in Stainless steel) will be approximately 2,7 kg less.

Dimension chart, Pump set drawing and Performance curves

AKH 4100 in Bronze and Stainless steel (3B, 4B and 4F)



General: Values are valid for water $\rho = 1 \text{ kg/dm}^3$ and $\nu = 1 \text{ cSt}$.

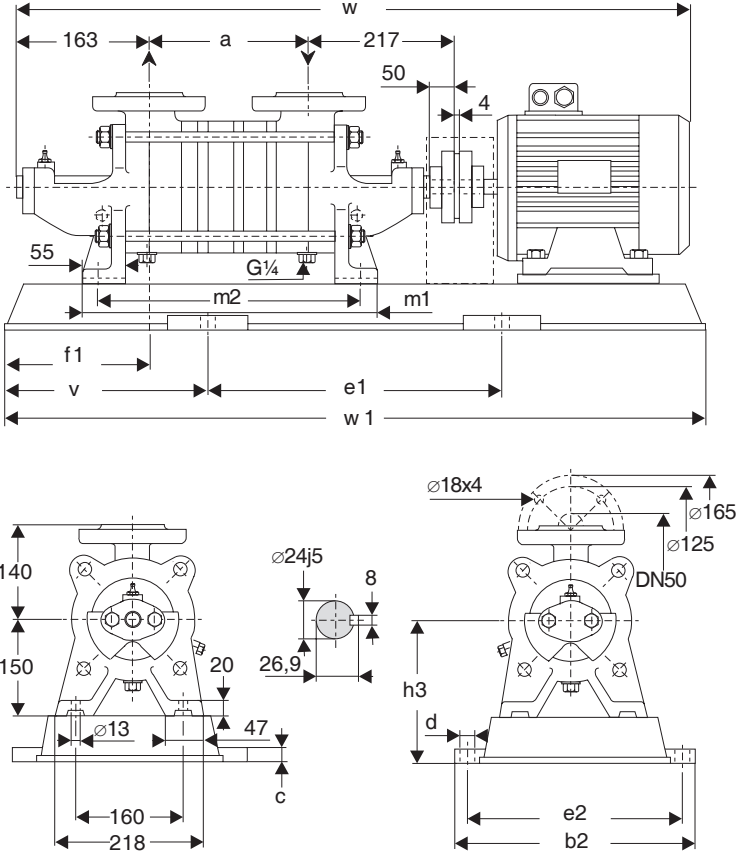
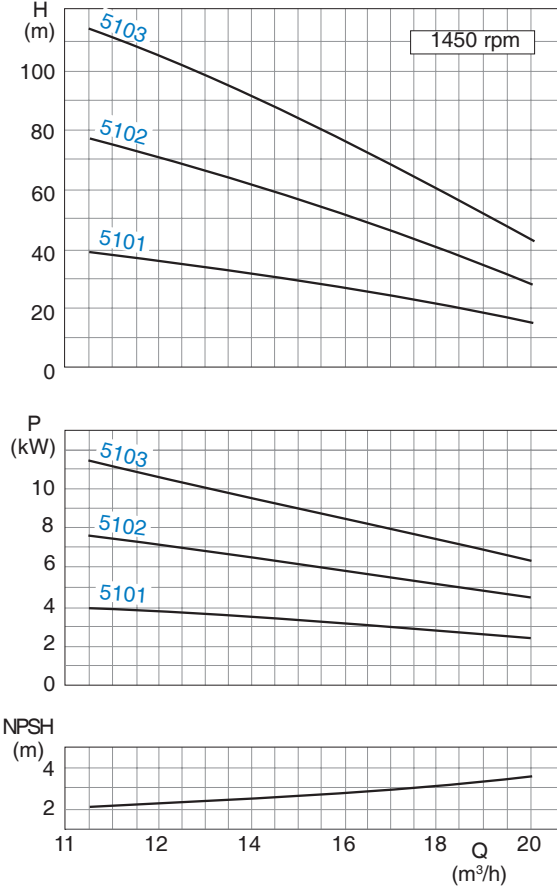
Characteristic tolerances: Capacity $\pm 5\%$ - Delivery head $\pm 5\%$ - Power $+ 10\%$.
For designs with a mechanical seal or casing seal of soft Teflon, the tolerance for the delivery head is extended by 2% each.

Pump size	Motor		Base plate	Coupling	Weight		a	b2	c	d	e1	e2	v	f1	h3	m1	m2	w*	w1		
	kW	size			pump	set															
4101	1.5	90L	P241	B68	33	74	160	330	25	19	480	290	125	92	197	303	263	841	730		
	2.2	100L	P272	B80		85														360	
4102	2.2	100L	P272	B80	39	92	215	360	25	19	540	320	140	92	197	358	318	937	820		
	3	100L																		109	
	4	112M																		109	
4103	4	112M	P015	B80	44	118	270	361	25	15	600	325	160	92	182	413	373	1013	920		
	5.5	132S	P017	B95																157	700
4104	4	112M	P017	B80	50	140	325	361	25	15	700	325	200	92	192	468	428	1068	1100		
	5.5	132S		B95																163	1144
	7.5	132M		B95																173	1170

* Design B - dimensions depend on the motor brand.
The weight of the pump in design A (only available in Stainless steel) will be approximately 3,2 kg less.

Dimension chart, Pump set drawing and Performance curves

AKH 5100 in Bronze and Stainless steel (3B, 4B and 4F)



General: Values are valid for water $\rho = 1 \text{ kg/dm}^3$ and $\nu = 1 \text{ cSt}$.

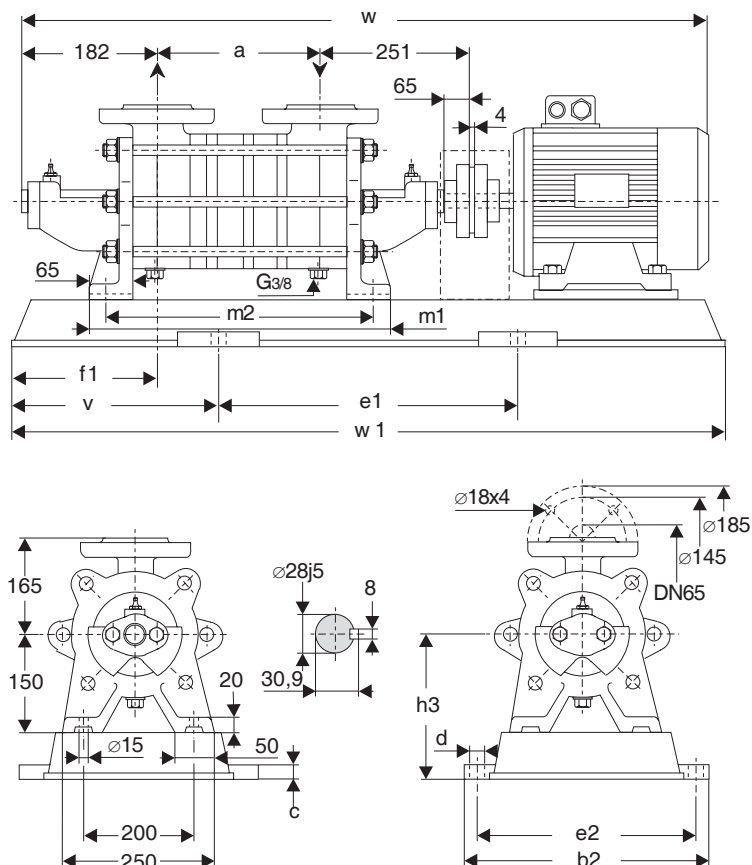
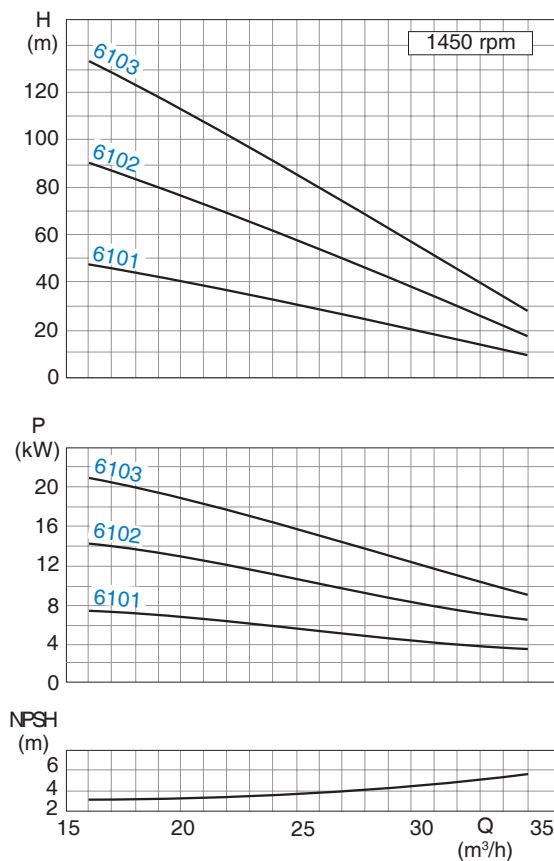
Characteristic tolerances: Capacity $\pm 5\%$ - Delivery head $\pm 5\%$ - Power $+ 10\%$.
 For designs with a mechanical seal or casing seal of soft Teflon, the tolerance for the delivery head is extended by 2% each.

Pump size	Motor size		Base plate	Coupling	Weight pump set		a	b2	c	d	e1	e2	v	f1	h3	m1	m2	w*	w1											
	kW	size			set	set																								
5101	3	100L	P272	B80	45	98	175	360	25	19	540	320	140	99	215	329	293	931	820											
	4	112M																		121	952									
5102	5.5	132S	P017	B95	55	168	250	361	25	15	700	325	200	99	210	404	368	1103	1100											
	7.5	132M	178																	1129										
	11	160M	P385																	262	1221	1140								
5103	7.5	132M	P017	B95	64	217	325	361	25	15	700	325	200	99	210	479	443	1204	1100											
	11	160M	P385																	271	1296	1140								
	15	160L	P436																	B110	283	540	30	24	840	490	215	240	1358	1270

* Design B - dimensions depend upon the motor brand.
 The weight of the pump in design A (only available in Stainless steel) will be app. 4,2 kg less.

Dimension chart, Pump set drawing and Performance curves

AKH 6100 in Bronze and Stainless steel (3B, 4B and 4F)



General: Values are valid for water $\rho = 1 \text{ kg/dm}^3$ and $\nu = 1 \text{ cSt}$.

Characteristic tolerances: Capacity $\pm 5\%$ - Delivery head $\pm 5\%$ - Power $+ 10\%$.
For designs with a mechanical seal or casing seal of soft Teflon, the tolerance for the delivery head is extended by 2% each.

Pump size	Motor size		Base plate	Coupling	Weight		a	b2	c	d	e1	e2	v	f1	h3	m1	m2	w*	
	kW	size			pump	set												w*	w1
6101	5.5	132S	P017	B95	62	175	195	361	25	15	700	325	160	117	210	388	328	1101	1100
	7.5	132M				182												1127	
6102	11	160M	P385	B95	75	282	285	490	30	24	740	440	200	117	240	478	418	1309	1140
	15	160L	P436	B110		294												540	
6103	18.5	180M	P487	B110	87	342	375	610	30	24	940	550	240	117	280	568	508	1523	1420
	22	180L		B125		362												1523	

* Dimensions depend upon the motor brand.

Notes

A large, empty rectangular box with a blue border, intended for handwritten notes.

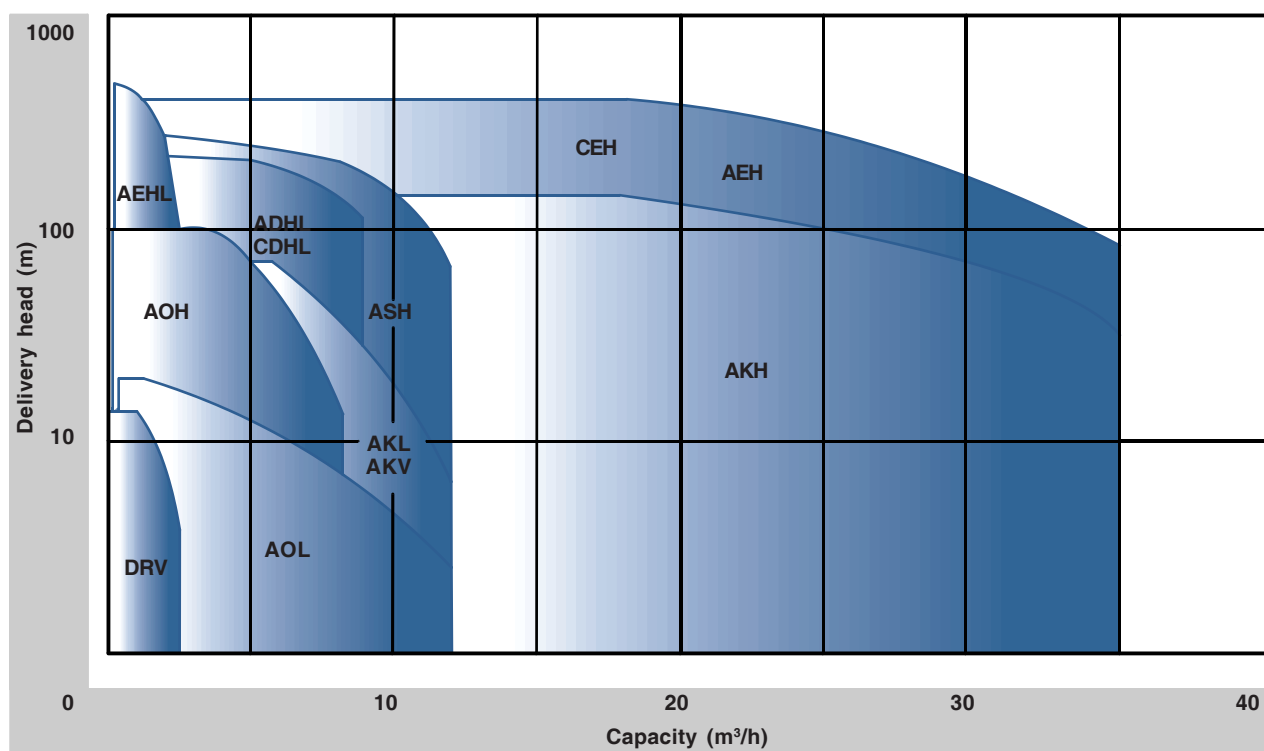
It is the policy of Sterling Fluid Systems to seek continually for ways to improve its products and the right is reserved to alter specifications at anytime without prior notice.

Sterling SIHI Side Channel pumps

Sterling Fluid Systems offers an extensive Side Channel pump range under its brand name Sterling SIHI. Sterling Fluid Systems has more than 80 years of experience in manufacturing, installation and support of Side Channel pumps. The Sterling SIHI Side Channel pumps can be found in a wide application range for the:

- Chemical market
- Pharmaceutical industry
- Petrochemical industry
- Food industry
- Ship yards
- LPG industry
- and many more ...

The Sterling SIHI Side Channel pump range



The benefits of the Sterling SIHI Side Channel pumps

- Self priming
- Gas handling
- High-resistant materials
- Performance curve characteristics
- High efficiency
- Low NPSH_R value
- Modular hydraulic system

The Sterling SIHI Side Channel pumps comply with the highest demands of our customers and are the best solution for the handling of liquid under critical physical conditions.

Sterling Fluid Systems (Europe)
www.sterlingfluidsystems.com/europe

Sterling Fluid Systems (Austria)
Wien
Telephone: +43 (0)1 680 050
Fax: +43 (0)1 680 0521
E-Mail: sales_austria@sterlingsihi.de

Sterling Fluid Systems (France)
Trappes
Telephone: +33 (0)1 34 82 39 00
Fax: +33 (0)1 34 82 39 61
E-Mail: sterlingsihi@easynet.fr

Sterling Fluid Systems (Greece)
Athens
Telephone: +302 (0)10 9570783
Fax: +0302 (0)10 9568121
E-Mail: sales_greece@sterlingsihi.de

Sterling Fluid Systems (Netherlands)
Beverwijk
Telephone: +31 (0)251 263 232
Fax: +31 (0)251 226 309
E-Mail: info@sihi.nl

Sterling Fluid Systems (Schweiz)
Schaffhausen
Telephone: +41 (0)52 6440606
Fax: +41 (0)52 6440616
E-Mail: info@sterlingfluid.ch

Sterling Fluid Systems (Belgium)
Groot-Bijgaarden
Telephone: +32 (0)2 481 7711
Fax: +32 (0)2 481 7737
E-Mail: sales@sterlingfluidsystems.be

Sterling SIHI (Germany)
Itzehoe
Telephone: 49 (0)4821 77101
Fax: 49 (0)4821 771274
E-Mail: sales@sterlingsihi.de

Sterling Fluid Systems (Hungary)
Veszprém
Telephone: +36 (0)88 40 66 33
Fax: +36 (0)88 40 66 35
E-Mail: sales_hungary@sterlingsihi.de

Sterling Fluid Systems (Polska)
Warszawa
Telephone: +48 (0)22 849 7097
Fax: +48 (0)22 849 6726
E-Mail: sterling@sterling.pl

Sterling Fluid Systems (Spain)
Madrid
Telephone: +34 (0)91 709 1310
Fax: +34 (0)91 715 9700
E-Mail: mibsa@stnet.es

Sterling Fluid Systems (Czech Republic)
Olomouc
Telephone: +420 (0)587 433 651
Fax: +420 (0)587 433 653
E-Mail: sterling@sterling.cz

Sterling Fluid Systems (Italy)
Monza
Telephone: +39 (0)039 2824 1
Fax: +39 (0)039 2824 220
E-Mail: sterlingitaly@sidro.it

Sterling Fluid Systems (Romania)
Bucuresti
Telephone: +40 (0)21 610 7188
Fax: +40 (0)21 210 8287
E-Mail: sales_romania@sterlingsihi.de

Sterling SAT
Dägeling, Germany
Telephone: +49 (0)4821 9000-0
Fax: +49 (0)4821 9000-501
E-Mail: sat@sterlingsat.com

Sterling Fluid Systems (UK)
Altrincham/Cheshire
Telephone: +44 (0)161 9286371
Fax: +44 (0)161 9252129
E-Mail: uksales@sterlingfluid.com

Sterling Fluid Systems (Americas)
www.sterlingfluidsystems.com/americas

Sterling Fluid Systems (USA)
Grand Island
Telephone: (1) 716 773 6450
Fax: (1) 716 773 2330
E-Mail: mail@sihi.com

Sterling Fluid Systems (Canada)
Guelph
Telephone: (1) 519 824 4600
Fax: (1) 519 824 7250
E-Mail: mail@sihi.com

Sterling Fluid Systems (Asia)
www.sterlingfluidsystems.com/asia

Sterling Fluid Systems (Asia)
Singapore
Telephone: (65) 68630 828
Fax: (65) 68630 868
E-Mail: asia.marketing@sterlingasia.com.sg

SIHI (Australia)
Bayswater
Telephone: (61) 3 9720 1500
Fax: (61) 3 9720 4076
E-Mail: sfsaus@ozemail.com.au

Sterling Fluid Systems (China)
Shanghai
Telephone: (8621) 6336 3488/6326 4171/6326 4062
Fax: (8621) 63268487
E-Mail: asia.marketing@sterlingasia.com.sg

Sterling Fluid Systems (Malaysia)
Selangor Darul Ehsan
Telephone: (60) 3 8070 0198/99
Fax: (60) 3 8070 0240
E-Mail: sfmsia@tm.net.my

Sterling Fluid Systems (Philippines)
Muntinlupa City
Telephone: (63) 2 809 4908
Fax: (63) 2 807 2013
E-Mail: asia.marketing@sterlingasia.com.sg

Sterling Fluid Systems (Thailand)
Bangkok
Telephone: (66) 2 319 2567
Fax: (66) 2 319 25673/4
E-Mail: sfsthai@sterlingthai.co.th

