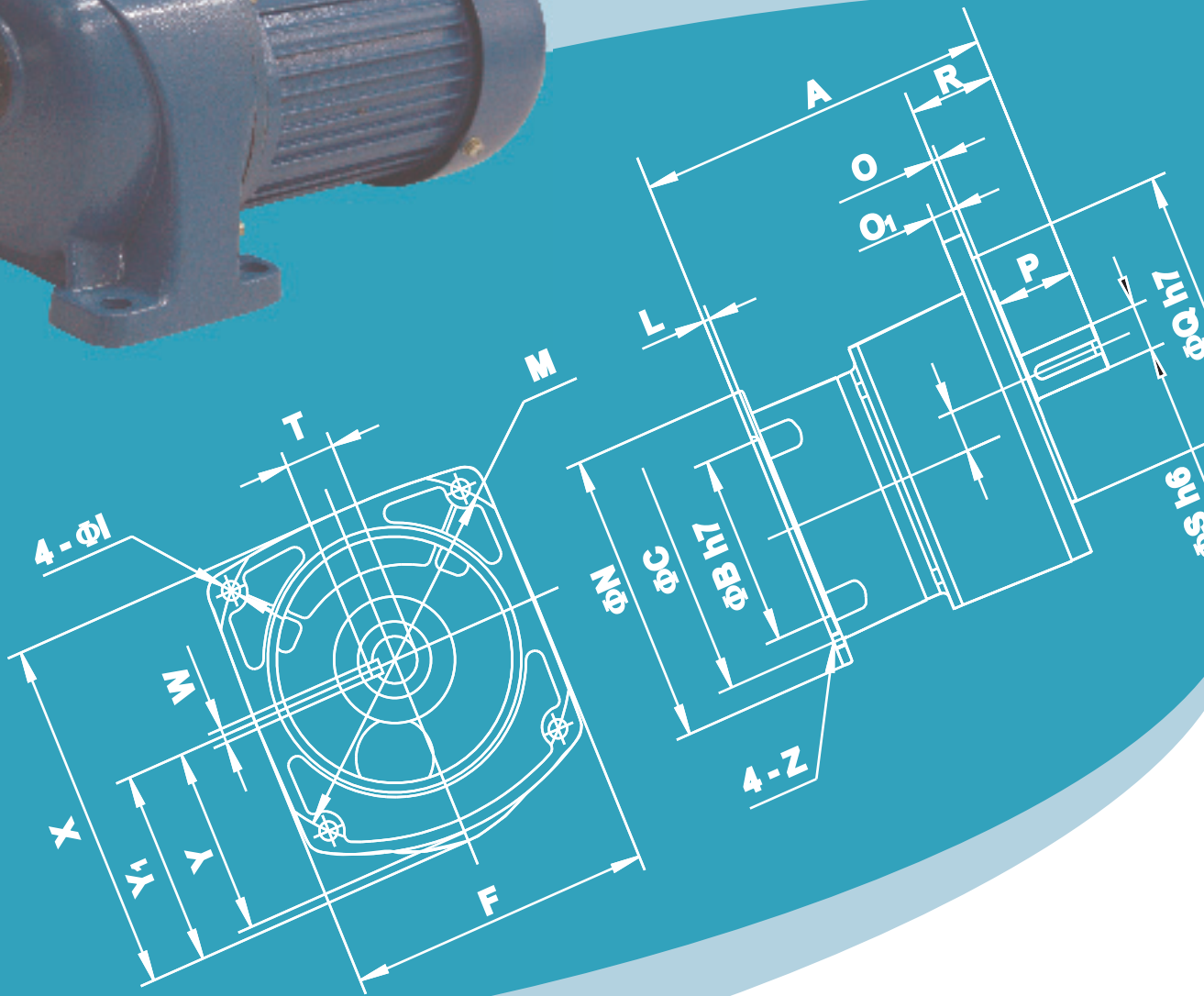
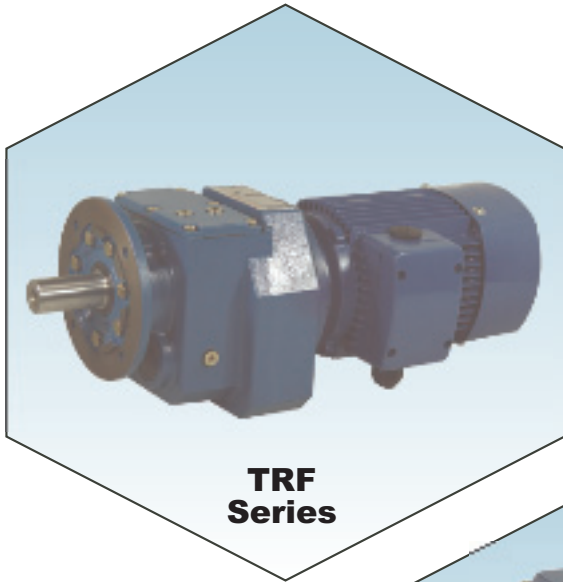


MINI HELICAL GEAR

G3

MINI HELICAL GEAR





**TRF
Series**



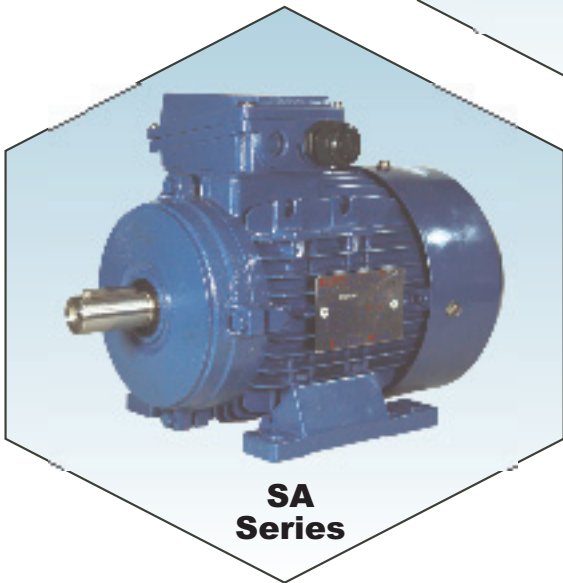
**TK
Series**

EFF 2



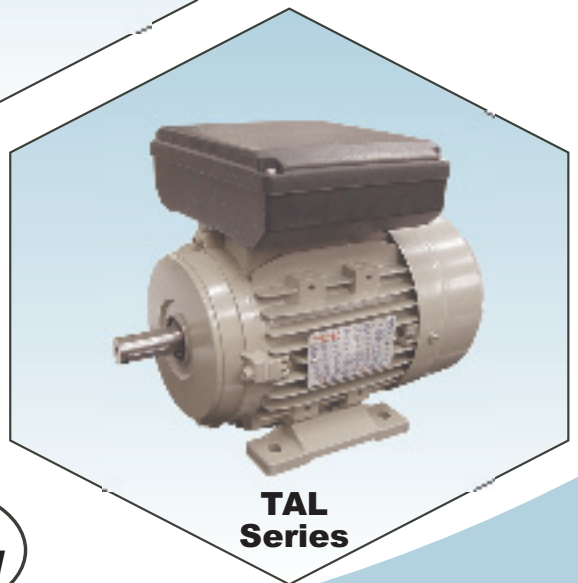
**YAB
Series**

**IEC
Standard**



**SA
Series**

**NEMA
Standard**



**TAL
Series**



TR Series

YUEMA
ELEKTRIC MOTOR

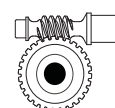
CHARACTERISTICS

1. Transmission ratio with a wide range
2. Compact structure takes up small room
3. Low Vibration, Low noise, low energy
4. Refined design, reliable and wearable
5. Modular and multistructure

Transmax
ELEKTRIC MOTOR

CONTENTS**Page**

24	▶	GENERAL INTRODUCTION
25 - 26	▶	GUIDE OF TYPE SELECTION
	▲	TECHNICAL DATA
27	▶	Relevant parameter
29 - 30	▶	Selection example
30	▶	Motor connection
31	▶	Performance parameter
32	▶	Output torque of IEC input reducer
32	▶	Performance table for combination of speed variator and IEC input reducer
33	▶	Trait of the braking reducer and its application
34	▶	Lubricant oil / quantity
34	▶	Operating environment
35 - 42	▶	OUTLINE DIMENSION SHEET
43	▶	EXPLODED VIEW & NAME OF PARTS
44	▶	CORRECT THE MALFUNCTION



STRUCTURE FEATURE

- Two types of housings: Aluminum alloy and cast iron; Two kinds of frames: foot mounting and flange mounting. They are good-looking in appearance, suitable for universal mount.
- Helical gear with the high-tensile alloy material makes the construction more compact, housing smaller, efficiency higher, output torque larger.
- Hardened facing transmission gear that fine finished has the advantages below: seldom distortion, high precision, stable running, low noise, It also can work continually under the dreadful conditions
- With 6 specification for the diameter of output shaft: $\Phi 18$, $\Phi 22$, $\Phi 28$, $\Phi 32$, $\Phi 40$, $\Phi 50$
- Two or three-stage transmission, large in ratio range, each single frame size with 14 ratios from 5:1 to 200:1.
- Using high quality bearing prolongs the use life.
High-performance oil seal prevents the lubricant from leaking back to the inner of motor.
- Three-phase motor combined the standard and full-enclosed aluminum motor, which is good in waterproof, easy in heat dissipation, high in running efficiency.
- Modular combination extends the transmission ratio from $i = 5:1$ to 1400:1.

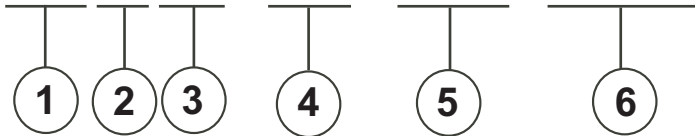
SURFACE PAINTING

- Shot blasting firstly and then special antiseptic treatment on aluminum alloy surface (remain the metalline silver white; also is corrosion resistance to organic solvent, such as gasoline, xylene and so on).
- After phosphating, painted with blue and gray coating.

MODEL & MARK

G3 Series model reducer

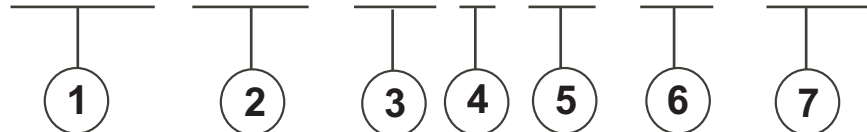
G3 F M - 28 - 030 - T040



No	Comments
1.	Model code
2.	Mount mode 1). F : Flange mounted 2). L : Foot-mounted
3.	Power mode 1). M : Standard model (motor without brake) 2). B : Brake model(motor with brake) 3). S : IEC input 4). Without character means shaft input
4.	Output shaft diameter (Ø18; Ø22; Ø28; Ø32; Ø40; Ø50)
5.	Speed ratio of reducer (i = 5; 10; 15; 20; 25; 30; 40; 50; 60; 80; 100; 120; 160; 200)
6.	Motor power (0.1; 0.20; 0.40; 0.75; 1.5; 2.2KW) 1). T : Three phase motor 2). Without T means single phase motor 3). (...) IEC Motor power

⬡ Combination of speed variator and and **IEC** input reducer

UDL - 075 - G3 F S - 28 - 030



No	Comments
1.	Code of aluminium alloy casing speed variator
2.	Motor power (0.18; 0.37; 0.75KW)
3.	Model code
4.	Mount mode 1). F : Flange mounted 2). L : Foot-mounted
5.	S : Means IEC input
6.	Output shaft diameter (Ø18; Ø22; Ø28; Ø32; Ø40;Ø50)
7.	Speed ratio of reducer (i = 5; 10; 15; 20; 25; 30; 40; 50; 60; 80; 100; 120; 160; 200)

SELECT THE REDUCER TYPE



G3LM Three-phase motor reducer with foot



G3FM Three-phase motor reducer with flange



G3LS IEC input reducer with foot



G3FS IEC input reducer with flange



G3L Shaft input reducer with foot



G3F Shaft input reducer with flange



UDL-G3LS Combination of speed variator and IEC input reducer with foot



UDL-G3FS Combination of speed variator and IEC input reducer with flange

NOTICE FOR ORDER

The customer should provide us the following information when you want to order G3 series reducers from our company:

- Basic parameters of reducer (including model code, mount mode, motor mode, output shaft diameter, speed ratio, motor power);
- Painting on outside body: the color of G3 series reducers and motors are painted with blue, also we can paint according to customer's request.

RELEVANT PARAMETER

1) Power

$$P_1 = \frac{P_2}{\eta} \text{ [kW]}$$

$$P_{1n} \geq P_1 \cdot f_s \text{ [kW]}$$

P₁	Input power
P₂	Output power
P_{1n}	Selected motor power
f_s	Service factor
η	Transmission efficiency

G3 Series gear units transmission efficiency $\eta = 95\%$.

2) Rotation speed

n₁	Gear units input speed
n₂	Gear units output speed

which in selection table means the motor rotation speed 1400/min. If driven by the external gearing, 1400r/min or lower rotation speed is suggested so as to optimize the working conditions and prolong the service life. Higher input rotation speed is permitted, but in this situation, the rated torque **M₂** will be reduced.

3) Transmission ratio *i*

$$i = \frac{n_1}{n_2}$$

Usually transmission ratio is decimal fraction with 2 radix point tagged in selection tables.

4) Torque

$$M_2 = \frac{9550 \cdot P_1 \cdot \eta}{n_2} \text{ [Nm]}$$

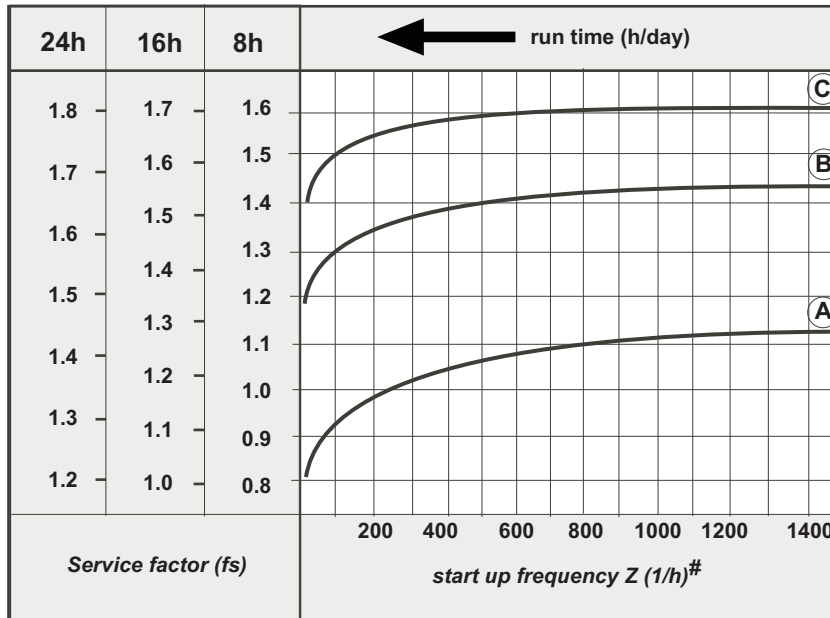
$$M_{2n} \geq M_2 \cdot f_s \text{ [Nm]}$$

M₂	Output torque
M_{2n}	Selected output torque
P₁	Input power
η	Transmission efficiency
f_s	Service factor

5) Service factor *f_s*

The effect of the driven machine on the gear unit is taken into account to a sufficient level of accuracy using the service factor *f_s*. The service factor is determined according to the daily operating time and the

starting frequency Z. Three load classifications are considered depending on the mass acceleration factor. You can read off the service factor applicable to your application in following Figure. The service factor selected using this diagram must be less than or equal to the service factor as given in the performance parameter table.



starting frequency Z: The cycles include all starting and braking procedures as well as change overs from low to high speed.

load classifications:

- (A) **Uniform**, permitted mass acceleration factor ≤ 0.2
- (B) **Moderate shock load**, permitted mass acceleration factor ≤ 3
- (C) **Heavy shock load**, permitted mass acceleration factor ≤ 10

Load classifications see the addendum.

The mass acceleration factor is calculated as follows:

$$fa = \frac{Jc}{Jm}$$

- fa** Mass acceleration factor
- Jc** All external mass moments of inertia (kgm²)
- Jm** Mass moment of inertia on the motor end (kgm²)

If mass acceleration factors **fa** > 10, please call our Technical Service.

To keep the service-life of gear units, the use factor **fs** selected from the catalogue must be equal or slightly higher than the calculated use factor **fs**

6) Radial loads & axial loads Fr2

When determining the resulting radial loads, the type of transmission elements, mounted on the shaft end must be considered. Various transmission elements are corresponding with following transmission element factors fz:

Transmission element	Transmission element factor Fz	Comments
Gears	1.00	≥ 17 teeth
	1.15	< 17 teeth
Chain sprockets	1.00	≥ 20 teeth
	1.25	< 20 teeth
	1.40	< 13 teeth
Narrow V-belt pulleys	1.75	Influence of the tensile force
Flat belt pulleys	2.50	Influence of the tensile force
Toothed belt pulleys	2.50	Influence of the tensile force

The overhung loads exerted on the motor or gear shaft is then calculated as follows:

$$Fr_2 = \frac{M_d \cdot 2000 \cdot f_z}{d_0} \text{ [N]}$$

Fr₂ Radial loads [N]
 M_d Torque [Nm]
 d₀ Mean diameter of the mounted transmission element [mm]
 f_z Transmission element factor

SELECTION EXAMPLE

1). Gear motor

Example: Required power 1kW on driven machine, work for 8h/day, **moderate shock load**, so fs = 1.3 , M6 foot-mounted, n₂ = 47 r/min

$$i = \frac{n_1}{n_2} = \frac{1400}{47} = 30$$

$$P_{1n} \geq P_1 \cdot fs = \frac{P_2}{\eta} \cdot fs = \frac{1}{0.95} \times 1.3 = 1.37 \text{ [kW]}$$

Choose type:

G3LM - 40 - 030 - T150

2) Gear units

Example: Reclured torquc 20Nrn on driven machine, work 6h/day, uniform load, so fs = 1.1, n2= 144 r/min, flange-mounted, IEC input.

$$i = \frac{n1}{n2} = \frac{1400}{144} = 9.72$$

$$M_{2n} \geq M2 \cdot f_s = 20 \times 1.1 = 22 \text{ [Nm]}$$

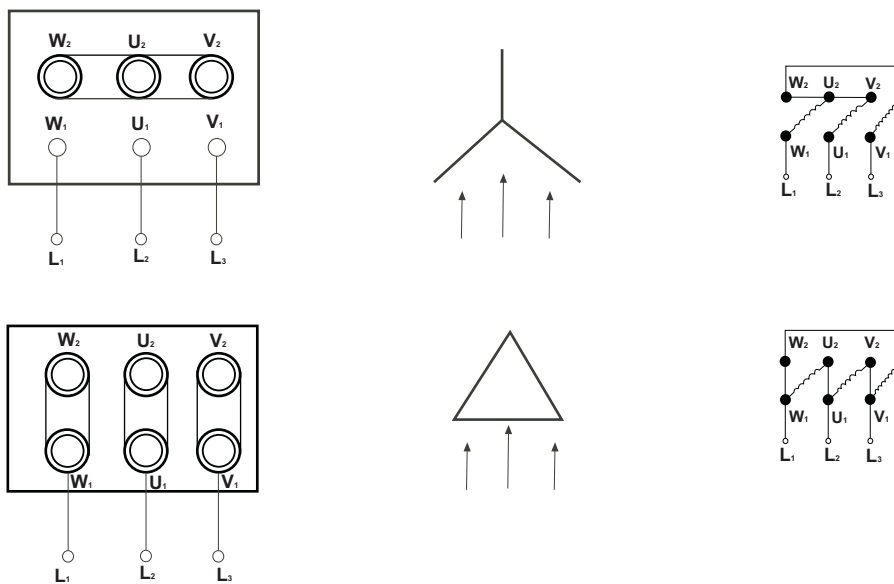
$$P_{1n} \geq P1 \cdot f_s = \frac{M2 \cdot n1}{9550 \cdot \eta \cdot i} \cdot f_s = \frac{20 \times 1400}{9550 \times 0.95 \times 9.72} \times 1.1 = 0.349 \text{ [kW]}$$

Choose type:

G3FS - 22 - 010 - (037)

MOTOR CONNECTION

There are six connection poles on the motor's connection board, when selecting starlike and triangle connection, three phase pressure inputted will be different(as following drawing shows), if you exchange any two lines, the reducer will reverse.



PERFORMANCE PARAMETER

Normal ratio		5	10	15	20	25	30	40	50	60	80	100	100	120	160	200		
0.1kW	output shaft	Ø18									Ø22							
	actual speed ratio	4.97	10.12	15.16	20.08	24.89	30.46	40.11	50.14	62.17	79.12	98.18	-	122.27	155.62	194.52		
	n2* (1/min)	282	138	92	70	56	46	35	28	23	18	14	-	11	9	7		
	M ₂ (Nm)	50Hz	3.2	6.5	9.8	12.9	16.1	19.6	25.7	31.1	37.5	49.5	62.	-	76.1	100.7	125.4	
		60Hz	3	5	8	11	13	17	21	26	31	41	52	-	63	84	105	
	Fr ₁ (N)	588	882	980	1180	1270	1370	1470	1570	2160	2450	2450	2450	2450	2450	2450		
	Fr ₂ (N)	176																
0.2kW	output shaft	Ø18					Ø22					Ø28						
	actual speed ratio	4.97	10.12	15.16	20.08	24.89	30.86	39.56	49.09	62.17	79.12	98.18	104.08	120.88	165	196.43		
	n2* (1/min)	282	138	92	70	56	45	35	29	23	18	14	13	12	8	7		
	M ₂ (Nm)	50Hz	6.5	12.6	19.1	26.3	32.6	38.9	50.4	63	75.6	100.8	103.9	125.40	150	200.4	250.7	
		60Hz	5.4	10.5	16.6	21.9	27.1	32.4	42	52.5	63	84	86.6	104.50	125	167	208.9	
	Fr ₁ (N)	588	882	980	1180	1270	1760	1860	1960	2160	2450	2450	2840	3330	3430	3430		
	Fr ₂ (N)	196																
0.4kW	output shaft	Ø22					Ø28					Ø32						
	actual speed ratio	4.86	9.71	15.27	19.43	24.29	30	38.96	48.29	58.22	79.48	98.51	98.29	121.56	158.48	202.5		
	n2* (1/min)	288	144	92	72	58	47	36	29	24	18	14	14	12	9	7		
	M ₂ (Nm)	50Hz	12.9	25	38.6	51.4	65.4	78.2	100.7	125.4	150	200.4	206.8	250.70	301.1	400.7	461.8	
		60Hz	10.7	20.8	32.1	42.9	54.5	65.2	83.9	104.5	125.0	167.0	172.3	208.9	250.9	333.9	384.8	
	Fr ₁ (N)	882	1180	1370	1470	1670	2550	2840	3140	3430	3430	3430	4900	5880	5880	5880		
	Fr ₂ (N)	245																
0.75kW	output shaft	Ø28					Ø32					Ø40						
	actual speed ratio	5.04	10	14.95	20.4	24.29	30.67	39.69	49.09	59.54	79.38	98.18	98.90	122.08	155.56	194.44		
	n2* (1/min)	278	140	94	69	58	46	35	29	24	18	14	14	11	9	7		
	M ₂ (Nm)	50Hz	24.6	48.2	72.9	97.5	122.1	145.7	187.5	235.7	282.9	376.1	387.9	439	527	703	764	
		60Hz	20.5	40.2	60.7	81.3	201.8	121.4	156.3	196.4	235.7	313.4	323.2	366	439	585	732	
	Fr ₁ (N)	1270	1760	2160	2350	2450	4020	4210	4610	5490	5880	5880	7060	7060	7060	7060		
	Fr ₂ (N)	294																
1.5kW	output shaft	Ø32					Ø40					Ø50						
	actual speed ratio	5	10	15	20	25.56	30	41.54	51.27	59.34	83.08	102.55	104.72	116.79	165.88	194.37		
	n2* (1/min)	280	140	93	70	55	47	34	27	24	17	14	13	12	8	7		
	M ₂ (Nm)	50Hz	48.2	97.5	145.7	193.9	242.1	272	351	439	527	703	724	878	1060	1230	1230	
		60Hz	40.2	81.3	121.4	161.6	201.8	226	293	366	439	585	603	732	878	1170	1230	
	Fr ₁ (N)	1760	2450	2840	3230	3820	5100	5880	7060	7060	7060	7060	9800	9800	9800	9800		
	Fr ₂ (N)	343																
2.2kW	output shaft	Ø40					Ø50											
	actual speed ratio	5.14	10.29	14.69	20.57	25.71	30.8	38.82	50.73	59.27	77.45	100.76						
	n2* (1/min)	272	136	95	68	54	45	36	28	24	18	14						
	M ₂ (Nm)	50Hz	67	133	200	266	332	399	515	644	773	1029	1230					
		60Hz	56	111	167	221	277	332	429	537	644	858	1080					
	Fr ₁ (N)	2160	3140	3530	4020	4700	6960	7250	8620	9800	9800	9800						
	Fr ₂ (N)	392																

(“ * “ : n₁ = 1400r / min 50Hz)

OUTPUT TORQUE OF IEC INPUT REDUCER

Normal ratio		5	10	15	20	25	30	40	50	60	80	100	100	120	160	200	
0.12kW	output shaft	Ø18											Ø22				
	M2 (Nm)	50Hz	3.9	7.8	11.7	15.4	19.3	23.5	30.9	37.3	45.0	59.4	75.5	—	91.3	120.9	150.4
		60Hz	3.2	6.5	9.8	12.9	16.1	20.4	25.7	31.1	37.5	49.5	62.9	—	76.1	100.7	125.4
0.18kW	output shaft	Ø18					Ø22					Ø28					
	M2 (Nm)	50Hz	5.9	11.4	17.2	23.6	29.3	35	45.3	56.7	68.1	90.7	93.5	112.8	135	180.3	225.6
		60Hz	4.9	9.5	14.9	19.7	24.4	29.2	37.8	47.3	56.7	75.6	77.9	94	112.5	150.3	188
0.37kW	output shaft	Ø22					Ø28					Ø32					
	M2 (Nm)	50Hz	11.9	23.1	35.7	47.6	60.5	72.3	93.2	116	138.8	185.3	191.3	231.9	278.5	370.7	427.2
		60Hz	9.9	19.2	29.7	39.6	50.4	60.3	77.6	96.6	115.6	154.4	159.4	193.3	232.1	308.9	356
0.75kW	output shaft	Ø28					Ø32					Ø40					
	M2 (Nm)	50Hz	24.6	48.2	72.9	97.5	122.1	145.7	187.5	235.7	282.9	376.1	387.9	439	527	703	764
		60Hz	20.5	40.2	60.7	81.3	201.8	121.4	156.3	196.4	235.7	313.4	323.2	366	439	585	732
1.5kW	output shaft	Ø32					Ø40					Ø50					
	M2 (Nm)	50Hz	48.2	97.5	145.7	193.9	242.1	272	351	439	527	703	724	878	1060	1230	1230
		60Hz	40.2	81.3	121.4	161.6	201.8	226	293	366	439	585	603	732	878	1170	1230
2.2kW	output shaft	Ø40					Ø50										
	M2 (Nm)	50Hz	67	133	200	266	332	399	515	644	773	1029	1230				
		60Hz	56	111	167	221	277	332	429	537	644	858	1080				

PERFORMANCE TABLE FOR COMBINE OF SPEED VARIATOR AND IEC INPUT REDUCER

motor & rev	Model	i	n2 r/min	M2	motor & rev	Model	i	n2 r/min	M2 N.M
0.18kw 4P n1=1400r/min	UDL0.18-G3-18	5	34.4 ~ 176	7.5 ~ 36.1	0.37kw 4P n1=1400r/min	UDL0.37-G3-28	60	3.4 ~ 17.2	167 ~ 755
		10	16.9 ~ 86.3	15.3 ~ 73.6			80	2.5 ~ 12.6	228 ~ 1030
		15	11.3 ~ 57.7	23 ~ 110			100	2 ~ 10.2	283 ~ 1277
		20	8.5 ~ 43.6	30.4 ~ 146			100	2 ~ 10.2	282 ~ 1274
		25	6.8 ~ 35.2	37.7 ~ 181			120	1.6 ~ 8.2	349 ~ 1576
		30	5.5 ~ 28.4	46.8 ~ 224			160	1.3 ~ 6.3	455 ~ 2055
	UDL0.18-G3 22	40	4.3 ~ 22.1	59.9 ~ 288	0.75kw 4P n1=1400r/min	UDL0.75-G3-28	200	1 ~ 4.9	581 ~ 2625
		50	3.5 ~ 17.8	74.4 ~ 357			5	39.7 ~ 198	29.3 ~ 132
		60	2.7 ~ 14.1	64.2 ~ 452			10	20 ~ 100	58.2 ~ 263
		80	2.2 ~ 11.1	120 ~ 575			15	13.4 ~ 66.9	87 ~ 393
		100	1.7 ~ 8.9	149 ~ 714			20	9.8 ~ 49	119 ~ 536
		100	1.6 ~ 8.4	158 ~ 757			25	8.24 ~ 1.2	141 ~ 638
	UDL0.18-G3-28	120	1.4 ~ 7.2	183 ~ 877	UDL0.75-G3-32	30	6.5 ~ 32.6	178 ~ 806	
		160	1 ~ 5.3	250 ~ 1199		40	5 ~ 25.2	231 ~ 1043	
		200	0.9 ~ 4.5	298 ~ 1428		50	4.1 ~ 20.4	287 ~ 1290	
						60	3.4 ~ 16.8	346 ~ 1565	
0.37kw 4P n1=1400r/min	UDL0.37-G3-22	5	41.2 ~ 206	13.9 ~ 63			80	2.5 ~ 12.6	462 ~ 2086
		10	20.6 ~ 103	27.9 ~ 126			100	2 ~ 10.2	571 ~ 2580
		15	13.1 ~ 65.5	43.8 ~ 198					
		20	10.3 ~ 51.5	55.8 ~ 250					
	UDL0.37-G3-28	25	8.2 ~ 41.2	69.7 ~ 315					
		30	6.7 ~ 33.3	86.1 ~ 389					
		40	5.1 ~ 25.7	112 ~ 505					
		50	4.1 ~ 20.7	139 ~ 625					

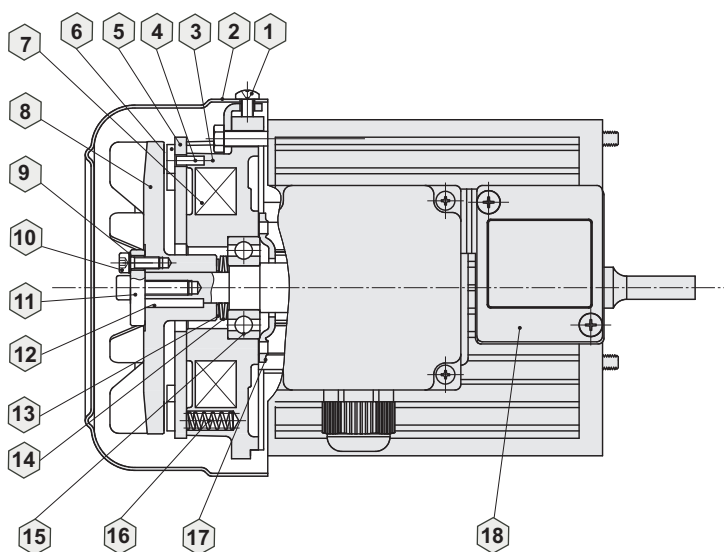
TRAIT OF THE BRAKING REDUCER AND ITS APPLICATION

Braking reducer is the reducer with brake motor. The motor brake apparatus consists of spring, lining, brake plate, rectifier and winding. It realizes running upon power-on condition while braking upon power-off condition. The integrated design of the motor and brake makes the configuration compact; The lining, which uses the imported and high-efficient non-asbestos material, is wearable during high-frequency usage, and low in wear rate, also environment-protected. It can be used more than 1,000,000 times; the rectifier actualizes the controlling motor starting and emergency stop by a switch; and it is short in response time. The hard facing helical gear reducer with a longevity usage is suitable to be applied on the automatic occasion such as high braking frequency, emergency stop and starting.

CHARACTERISTICS TABLE

power (KW)	rated torque (Nm)	excitation Pressure (V)	excitation power (W)	clearance adjust workload (J)	overall workload (J)	magnetize workload (ms)	release time (ms)	clearance	
								stated value (mm)	limited value (mm)
0.2	2	90	20	9X10 ⁷	45X10 ⁷	30	80	0.3	0.7
0.4	4	90	26	15X10 ⁷	75X10 ⁷	30	100	0.3	0.7
0.75	8	90	39.4	30X10 ⁷	100X10 ⁷	60	120	0.3	1
1.5	15	90	48	30X10 ⁷	100X10 ⁷	90	140	0.4	1
2.2	30	90	52.2	50X10 ⁷	160X10 ⁷	90	150	0.4	1

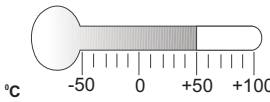






BRAKE STRUCTURAL VIEW



1. screw
2. fan cover
3. pole group
4. spring pin
5. gag bit plate
6. friction piece
7. winding
8. brake board
9. spring washer
10. inner hex screw
11. clearance adjust screw
12. key
13. clearance washer
14. papilionaceous spring
15. bearing
16. brake spring
17. bearing press buckle
18. electrical source set

G3 series reducers are supplied with lubricant, synthetic oil, SHELL Alvania GL00 before delivery, It doesn't need to replace lubricant for first 20,000 hours running, But if works in special application, Such as high temperature, long-time running heavy impact load, It should be changed every 10,000-15,000 working hours.

LUBRICANT GREASE

								
G3	Standard -15 +40	000 - 0	Alvania GL 00	Mobilux EP 00	Energrease LS - EP 00	8125A 00		Synthetic Oil
	-25 +60	00	TIVELA GL 00	Glygoyle Grease 00				Synthetic Oil
UDL..	-25 +40	VG32	A.T.F.DXRON	A.T.F. 220	Autran DX		Ub3	Mineral Oil

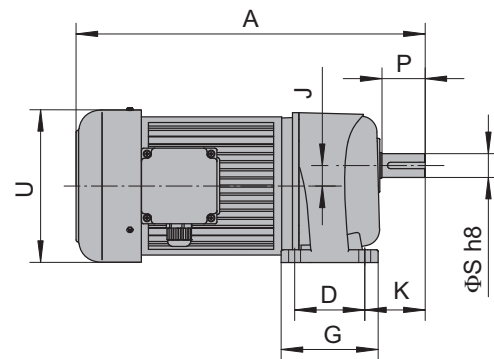
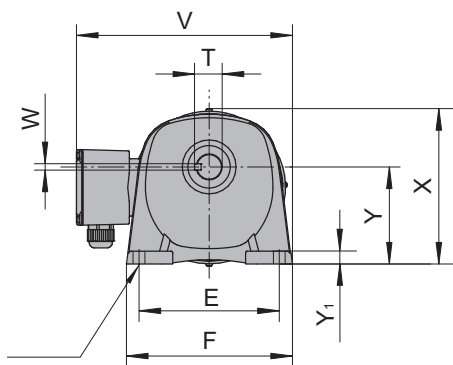
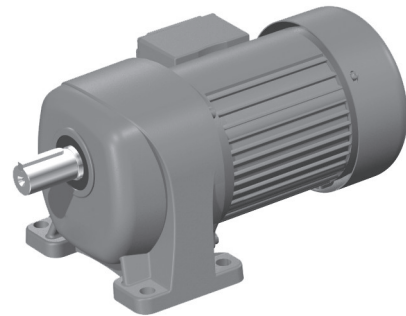
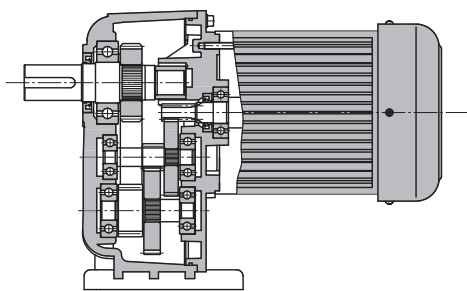
QUANTITY OF LUBRICATION

output shaft	Ø18	Ø22	Ø28	Ø32	Ø40	Ø50
quantity of lubricant (g)	140	200	400	600	900	1600

APPLICATION ENVIRONMENT :

Ambient temperature between -10 C to 40 C, Ambient humidity below 85%RH, the altitude below 1,000m, no corrosive and explosive gas or liquid or dust, mounted in indoor.

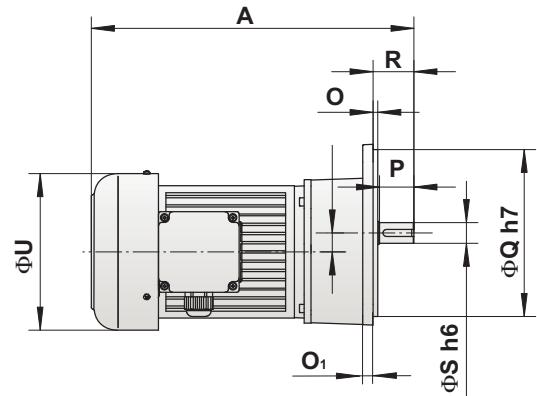
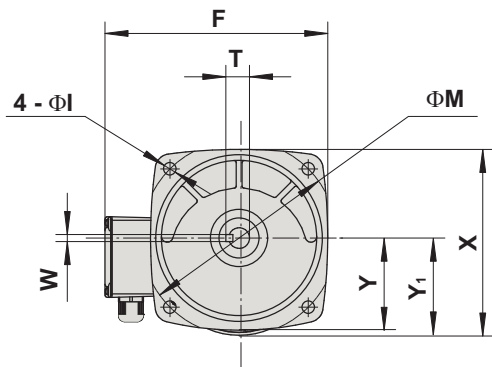
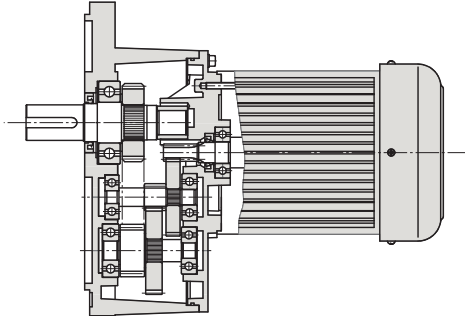
G3LM THREE-PHASE MOTOR REDUCER WITH FOOT



motor rotate speed 1400 r / min

power kW	output shaft	ratio	primary outline and dimension-mount																	
			A		D	E	F	J	G	H	K	P	S	T	U	V	W	X	Y	Y1
			A1	A2																
0.1	Ø18	5,10,15,20,25,30,40,50	236	270	40	110	135	16.5	65	9	45	30	18	20.5	129	183	6	133	85	10
	Ø22	60,80,100,120,160,200	262	296	65	130	155	19	90	11	55	40	22	24.5	129	193	6	139.5	90	12
0.2	Ø18	5,10,15,20,25	267	270	40	110	135	16.5	65	9	45	30	18	20.5	129	183	6	133	85	10
	Ø22	30,40,50,60,80,100	293	296	65	130	155	19	90	11	55	40	22	24.5	129	193	6	139.5	90	12
	Ø28	100,120,160,200	306	309.5	90	140	175	23.5	125	11	65	45	28	31	129	203	8	170	110	15
0.4	Ø22	5,10,15,20,25	314	324.5	65	130	155	19	90	11	55	40	22	24.5	139	199.5	6	141.5	90	12
	Ø28	30,40,50,60,80,100	330	337.5	90	140	175	23.5	125	11	65	45	28	31	139	210	8	170	110	15
	Ø32	100,120,160,200	349	357	130	170	208	28.5	170	13	70	55	32	35	139	226	10	198	130	18
0.75	Ø28	5,10,15,20,25	350.5	343.5	90	140	175	23.5	125	11	65	45	28	31	159	222	8	170	110	15
	Ø32	30,40,50,60,80,100	379.5	387	130	170	208	28.5	170	13	70	55	32	35	159	238.5	10	198	130	18
	Ø40	100,120,160,200	401.5	408.5	150	210	254	34	196	15	90	65	40	43	185	249	12	230	150	20
1.5	Ø32	5,10,15,20,25	420.5	441	130	170	208	28.5	170	13	70	55	32	35	185	250.5	10	198	130	18
	Ø40	30,40,50,60,80,100	457.5	478	150	210	254	34	196	15	90	65	40	43	185	260	12	230	150	20
	Ø50	100,120,160,200	485.5	506	160	230	290	40	210	18	100	75	50	53.5	185	288	14	265	170	25
2.2	Ø40	5,10,15,20,25	466.5	487	150	210	254	34	196	15	90	65	40	43	185	260	12	230	150	20
	Ø50	30,40,50,60,80,100	510.5	531	160	230	290	40	210	18	100	75	50	53.5	185	288	14	265	170	25

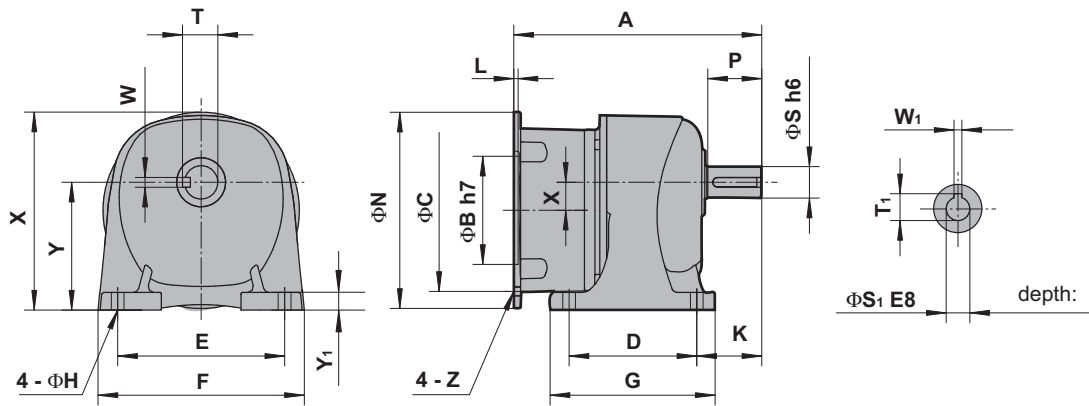
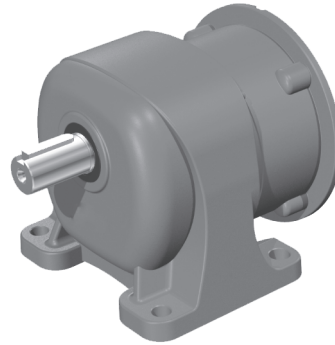
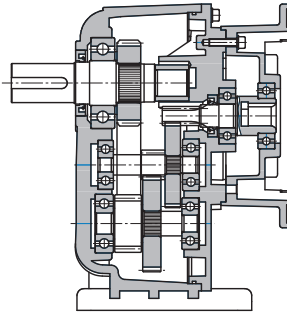
G3FM THREE-PHASE MOTOR REDUCER WITH FLANGE



motor rotate speed 1400 r / min

power kW	output shaft	ratio	primary outline and dimension-mount																	
			A		F	I	J	M	O	O ₁	P	Q	R	S	T	U	W	X	Y	Y ₁
			A1	A2																
0.1	Ø18	5,10,15,20,25,30,40,50	236	270	192.5	11	16.5	170	4	10	30	145	35	18	20.5	129	6	157	80	81
	Ø22	60,80,100,120,160,200	262	296	197.5	11	19	185	4	12	40	148	47	22	24.5	129	6	171.5	89.5	83.5
0.2	Ø18	5,10,15,20,25	267	270	192.5	11	16.5	170	4	10	30	145	35	18	20.5	129	6	161	80	81
	Ø22	30,40,50,60,80,100	293	296	197.5	11	19	185	4	12	40	148	47	22	24.5	129	6	171.5	89.5	83.5
	Ø28	100,120,160,200	306	309.5	208.5	11	23.5	215	4	15	45	170	50	28	31	129	8	198.5	105.5	88
0.4	Ø22	5,10,15,20,25	314	324.5	204	11	19	185	4	12	40	148	47	22	24.5	139	6	171.5	89.5	88.5
	Ø28	30,40,50,60,80,100	330	337.5	215	11	23.5	215	4	15	45	170	50	28	31	139	8	198.5	105.5	93
	Ø32	100,120,160,200	349	357	229.5	13	28.5	250	4	15	55	180	60	32	35	139	10	234	126	98
0.75	Ø28	5,10,15,20,25	350.5	343.5	227.5	11	23.5	215	4	15	45	170	50	28	31	159	8	198.5	105.5	103
	Ø32	30,40,50,60,80,100	379.5	387	242	13	28.5	250	4	15	55	180	60	32	35	159	10	234	126	108
	Ø40	100,120,160,200	401.5	408.5	270	18	34	310	5	18	65	230	71	40	43	185	12	284	149	126.5
1.5	Ø32	5,10,15,20,25	420.5	441	254	13	28.5	250	5	15	55	180	60	32	35	185	10	234	126	121
	Ø40	30,40,50,60,80,100	457.5	478	270	18	34	310	5	18	65	230	71	40	43	185	12	284	149	126.5
	Ø50	100,120,160,200	485.5	506	300	22	40	360	5	25	75	270	83	50	53.5	185	14	32.5	173.5	132.5
2.2	Ø40	5,10,15,20,25	466.5	487	270	18	34	310	5	18	65	230	71	40	43	185	12	284	149	126.5
	Ø50	30,40,50,60,80,100	510.5	531	300	22	40	360	5	25	75	270	83	50	53.5	185	14	32.5	173.5	132.5

G3LS IEC INPUT REDUCER WITH FOOT

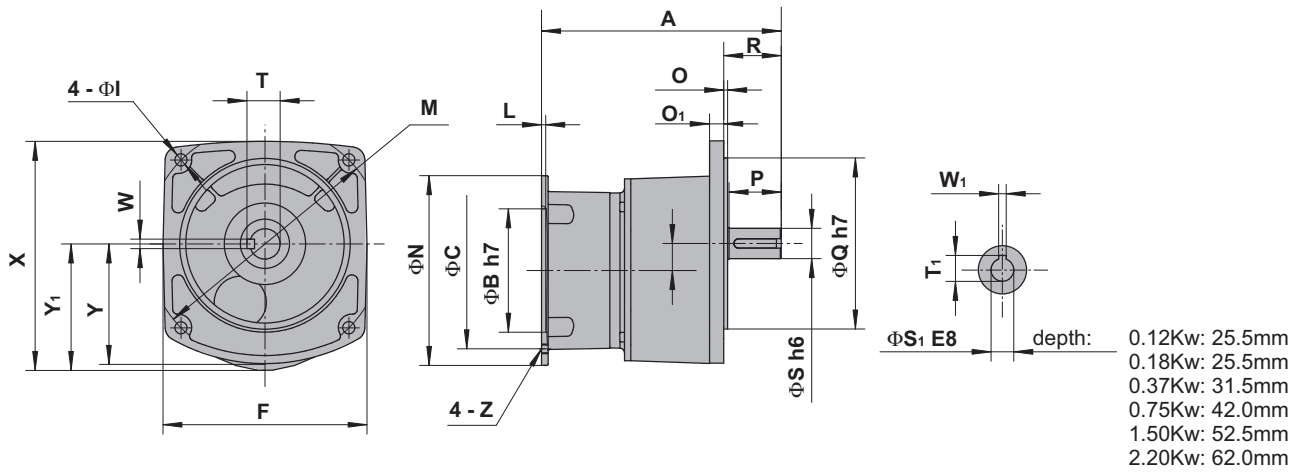
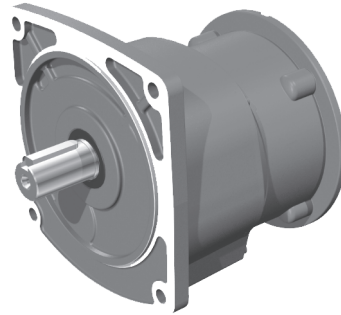
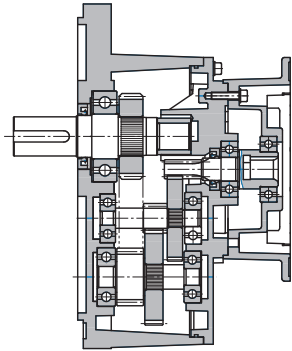


- depth:
- 0.12Kw: 25.5mm
 - 0.18Kw: 25.5mm
 - 0.37Kw: 31.5mm
 - 0.75Kw: 42.0mm
 - 1.50Kw: 52.5mm
 - 2.20Kw: 62.0mm

motor rotate speed 1400 r / min

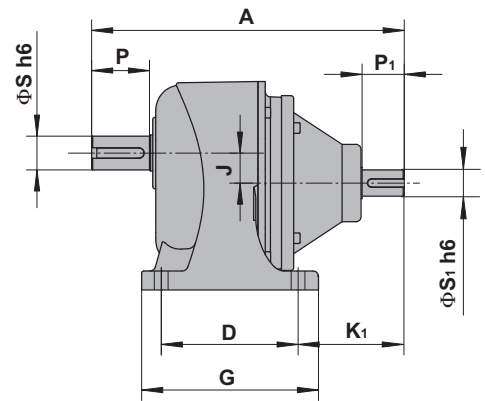
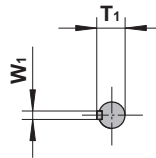
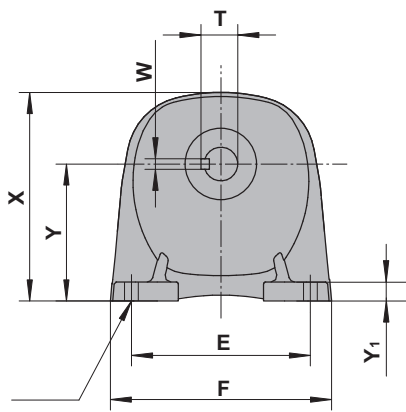
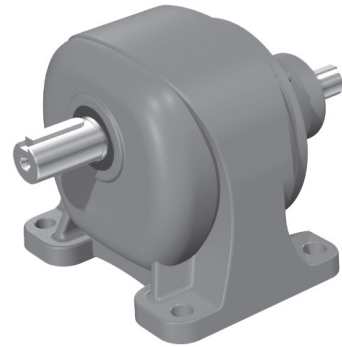
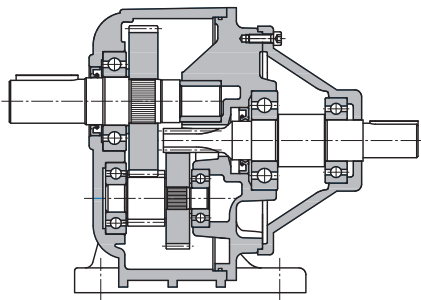
power kW	output shaft	ratio	primary outline and dimension-mount																						
			A	B	C	D	E	F	G	H	J	K	L	N	P	S	S ₁	T	T ₁	W	W ₁	X	Y	Y ₁	Z
0.12	Ø18	5,10,15,20,25,30,40,50	147	95	115	40	110	135	65	9	16.5	45	4.5	140	30	18	11	20.5	12.8	6	4	138.5	85	10	M8
	Ø22	60,80,100,120,160,200	173	95	115	65	130	154	90	11	19	55	4.5	140	40	22	11	24.5	12.8	6	4	141	90	12	M8
0.18	Ø18	5,10,15,20,25	147	95	115	40	110	135	65	9	16.5	45	4.5	140	30	18	11	20.5	12.8	6	4	138.5	85	10	M8
	Ø22	30,40,50,60,80,100	173	95	115	65	130	154	90	11	19	55	4.5	140	40	22	11	24.5	12.8	6	4	141	90	12	M8
	Ø28	100,120,160,200	186.5	95	115	90	140	175	125	11	23.5	65	4.5	140	45	28	11	31	12.8	8	4	170	110	15	M8
0.37	Ø22	5,10,15,20,25	181.5	110	130	65	130	154	90	11	19	55	4.5	160	40	22	14	24.5	16.3	6	5	151	90	12	M8
	Ø28	30,40,50,60,80,100	198	110	130	90	140	175	125	11	23.5	65	4.5	160	45	28	14	31	16.3	8	5	170	110	15	M8
	Ø32	100,120,160,200	216.5	110	130	130	170	208	170	13	28.5	70	4.5	160	55	32	14	35	16.3	10	5	198	130	18	M8
0.75	Ø28	5,10,15,20,25	206.5	130	165	90	140	175	125	11	23.5	65	4.5	200	45	28	19	31	21.8	8	6	186.5	110	15	M10
	Ø32	30,40,50,60,80,100	235	130	165	130	170	208	170	13	28.5	70	4.5	200	55	32	19	35	21.8	10	6	201.5	130	18	M10
	Ø40	100,120,160,200	260.5	130	165	150	210	254	196	15	34	90	4.5	200	65	40	19	43	21.8	12	8	230	150	20	M10
1.5	Ø32	5,10,15,20,25	252	130	165	130	170	208	170	13	28.5	70	4.5	200	55	32	24	35	27.3	10	8	201.5	130	18	M10
	Ø40	30,40,50,60,80,100	293.5	130	165	150	210	254	196	15	34	90	4.5	200	65	40	24	43	27.3	12	8	230	150	20	M10
	Ø50	100,120,160,200	321.5	130	165	160	230	290	210	18	40	100	4.5	200	75	50	24	53.5	27.3	14	8	265	170	25	M10
2.2	Ø40	5,10,15,20,25	290	180	215	150	210	254	196	15	34	90	5.5	250	65	40	28	43	31.3	12	8	230	150	20	M12
	Ø50	30,40,50,60,80,100	334	180	215	160	230	290	210	18	40	100	5.5	250	75	50	28	53.5	31.3	14	8	265	170	25	M12

G3FS IEC INPUT REDUCER WITH FLANGE



power kW	output shaft	ratio	primary outline and dimension-mount																							
			A	B	C	F	I	J	L	M	N	O	O ₁	P	Q	R	S	S ₁	T	T ₁	W	W ₁	X	Y	Y ₁	Z
0.12	Ø18	5,10,15,20 25,30,40,50	147	95	115	154	11	16.5	4.5	170	140	4	10	30	145	35	18	11	20.5	12.8	6	4	163.5	80	86.5	M8
	Ø22	60,80,100,120,160,200	173	95	115	164	11	19	4.5	185	140	4	12	40	148	47	22	11	24.5	12.8	6	4	171.5	89.5	89	M8
0.18	Ø18	5,10,15,20,25	147	95	115	154	11	16.5	4.5	170	140	4	10	30	145	35	18	11	20.5	12.8	6	4	163.5	80	86.5	M8
	Ø22	30,40,50,60 80,100	173	95	115	164	11	19	4.5	185	140	4	12	40	148	47	22	11	24.5	12.8	6	4	171.5	89.5	89	M8
0.37	Ø28	100,120,160,200	186.5	95	115	186	11	23.5	4.5	215	140	4	15	45	170	50	28	11	31	12.8	8	4	198.5	105.5	93.5	M8
	Ø22	5,10,15,20,25	181.5	110	130	164	11	19	4.5	185	160	4	12	40	148	47	22	14	24.5	16.3	6	5	201	89.5	99	M8
0.75	Ø28	30,40,50,60 80,100	198	110	130	186	11	23.5	4.5	215	160	4	15	45	170	50	28	14	31	16.3	8	5	198.5	105.5	103.5	M8
	Ø32	100,120,160,200	216.5	110	130	215	13	28.5	4.5	250	160	4	15	55	180	60	32	14	35	16.3	10	5	234	126	108.5	M8
1.5	Ø28	5,10,15,20,25	206.5	130	165	185	11	23.5	4.5	215	200	4	15	45	170	50	28	19	31	21.8	8	6	216.5	105.5	123.5	M10
	Ø32	30,40,50,60 80,100	235	130	165	215	13	28.5	4.5	250	200	4	15	55	180	60	32	19	35	21.8	10	6	236.5	126	128.5	M10
2.2	Ø40	100,120,160,200	260.5	130	165	270	18	34	4.5	310	200	5	18	65	230	71	40	19	43	21.8	12	6	284	149	134	M10
	Ø32	5,10,15,20,25	252	130	165	215	13	28.5	4.5	250	200	4	15	55	180	60	32	24	35	27.3	10	8	236.5	126	128.5	M10
2.2	Ø40	30,40,50,60 80,100	293.5	130	165	270	18	34	4.5	310	200	5	18	65	230	71	40	24	43	27.3	12	8	284	149	134	M10
	Ø50	100,120,160,200	321.5	130	165	300	22	40	4.5	360	200	5	25	75	270	83	50	24	53.5	27.3	14	8	323.5	173.5	140	M10
2.2	Ø40	5,10,15,20,25	290	180	215	270	18	34	5	310	250	5	18	65	230	71	40	28	43	31.3	12	8	284	149	134	M12
	Ø50	30,40,50,60 80,100	334	180	215	300	22	40	5	360	250	5	25	75	270	83	50	28	53.5	31.3	14	8	323.5	173.5	140	M12

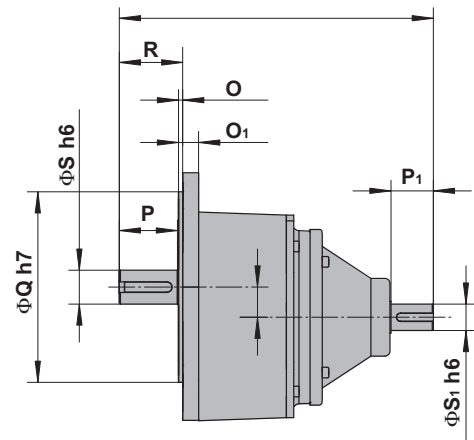
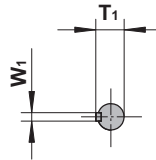
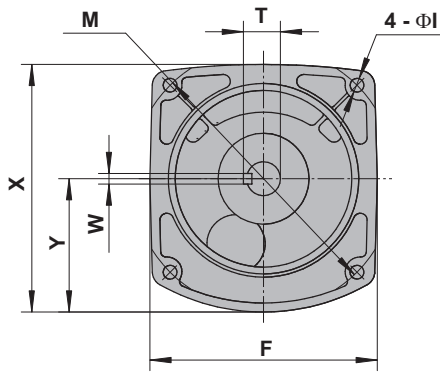
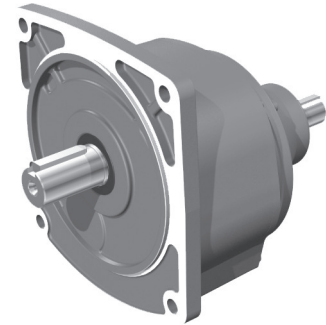
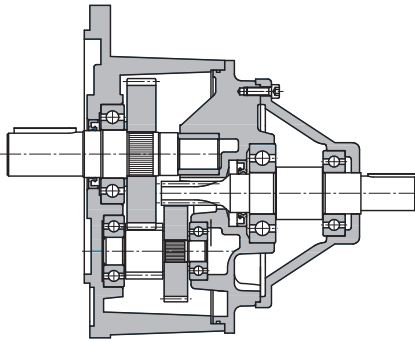
G3FS IEC INPUT REDUCER WITH FOOT



motor rotate speed 1400 r / min

power kW	output shaft	ratio	primary outline and dimension-mount																		
			A	D	E	F	G	H	J	K1	P	P1	S	S1	T	T1	W	W1	X	Y	Y1
0.1	Ø18	5,10,15,20,25,30,40,50	181.5	40	110	135	65	9	16.5	96.5	30	25	18	12	20.5	13.5	6	4	131	85	10
	Ø22	60,80,100,120,160,200	207.5	65	130	154	90	11	19	87.5	40	25	22	12	24.5	13.5	6	4	139.5	90	12
0.2	Ø18	5,10,15,20,25	181.5	40	110	135	65	9	16.5	96.5	30	25	18	12	20.5	13.5	6	4	131	85	10
	Ø22	30,40,50,60,80,100	207.5	65	130	154	90	11	19	87.5	40	25	22	12	24.5	13.5	6	4	139.5	90	12
0.4	Ø28	100,120,160,200	220.5	90	140	175	125	11	23.5	65.5	45	25	28	12	31	13.5	8	4	170	110	15
	Ø22	5,10,15,20,25	219	65	130	154	90	11	19	99	40	30	22	15	24.5	17	6	5	139.5	90	12
0.75	Ø28	30,40,50,60,80,100	235	90	140	175	125	11	23.5	80	45	30	28	15	31	17	8	5	170	110	15
	Ø32	100,120,160,200	254	130	170	208	170	13	28.5	54	55	30	32	15	35	17	10	5	198	130	18
1.5	Ø28	5,10,15,20,25	244.5	90	140	175	125	11	23.5	89.5	45	35	28	20	31	22.5	8	6	170	110	15
	Ø32	30,40,50,60,80,100	273.5	130	170	208	170	13	28.5	73.5	55	35	32	20	35	22.5	10	6	198	130	18
2.2	Ø40	100,120,160,200	295.5	150	210	254	196	15	34	55.5	65	35	40	20	43	22.5	12	6	230	150	20
	Ø32	5,10,15,20,25	297	130	170	208	170	13	28.5	97	55	40	32	25	35	28	10	8	198	130	18
2.2	Ø40	30,40,50,60,80,100	334	150	210	254	196	15	34	94	65	40	40	25	43	28	12	8	230	150	20
	Ø50	100,120,160,200	362	160	230	290	210	18	40	102	75	40	50	25	53.5	28	14	8	265	170	25
2.2	Ø40	5,10,15,20,25	330	150	210	254	196	15	34	90	65	45	40	30	43	33	12	8	230	150	20
	Ø50	30,40,50,60,80,100	374	160	230	290	210	18	40	114	75	45	50	30	53.5	33	14	8	265	170	25

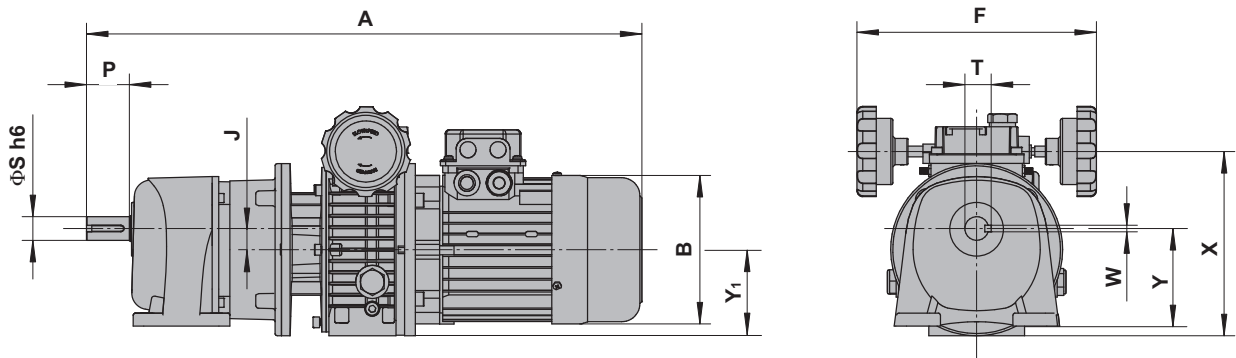
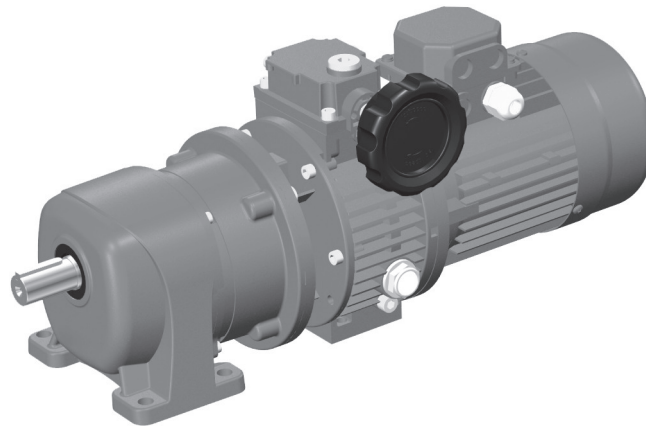
G3F IEC INPUT REDUCER WITH FLANGE



motor rotate speed 1400 r / min

power kW	output shaft	ratio	primary outline and dimension-mount																		
			A	F	I	J	M	O	O ₁	P	P ₁	Q	R	S	S ₁	T	T ₁	W	W ₁	X	Y
0.1	Ø18	5,10,15,20,25,30,40,50	181.5	154	11	16.5	170	4	10	30	25	145	35	18	12	20.5	13.5	6	4	157	80
	Ø22	60,80,100,120,160,200	207.5	164	11	19	185	4	12	40	25	148	47	22	12	24.5	13.5	6	4	171.5	89.5
0.2	Ø18	5,10,15,20,25	181.5	154	11	16.5	170	4	10	30	25	145	35	18	12	20.5	13.5	6	4	157	80
	Ø22	30,40,50,60,80,100	207.5	164	11	19	185	4	12	40	25	148	47	22	12	24.5	13.5	6	4	171.5	89.5
0.4	Ø28	100,120,160,200	220.5	186	11	23.5	215	4	15	45	25	170	50	28	12	31	13.5	8	4	198.5	105.5
	Ø22	5,10,15,20,25	219	164	11	19	185	4	12	40	30	148	47	22	15	24.5	17	6	5	171.5	89.5
0.75	Ø28	30,40,50,60,80,100	235	186	11	23.5	215	4	15	45	30	170	50	28	15	31	17	8	5	198.5	105.5
	Ø32	100,120,160,200	254	215	13	28.5	250	4	15	55	30	180	60	32	15	35	17	10	5	234	126
1.5	Ø28	5,10,15,20,25	244.5	185	11	23.5	215	4	15	45	35	170	50	28	20	31	22.5	8	6	198.5	105.5
	Ø32	30,40,50,60,80,100	273.5	215	13	28.5	250	4	15	55	35	180	60	32	20	35	22.5	10	6	234	126
2.2	Ø40	100,120,160,200	295.5	270	18	34	310	5	18	65	35	230	71	40	20	43	22.5	12	6	284	149
	Ø32	5,10,15,20,25	297	215	13	28.5	250	4	15	55	40	180	60	32	25	35	28	10	8	234	126
1.5	Ø40	30,40,50,60,80,100	334	270	18	34	310	5	18	65	40	230	71	40	25	43	28	12	8	284	149
	Ø50	100,120,160,200	362	300	22	40	360	5	25	75	40	270	83	50	25	53.5	28	14	8	323.5	173.5
2.2	Ø40	5,10,15,20,25	330	270	18	34	310	5	18	65	45	230	71	40	30	43	33	12	8	284	149
	Ø50	30,40,50,60,80,100	374	300	22	40	360	5	25	75	45	270	83	50	30	53.5	33	14	8	323.5	173.5

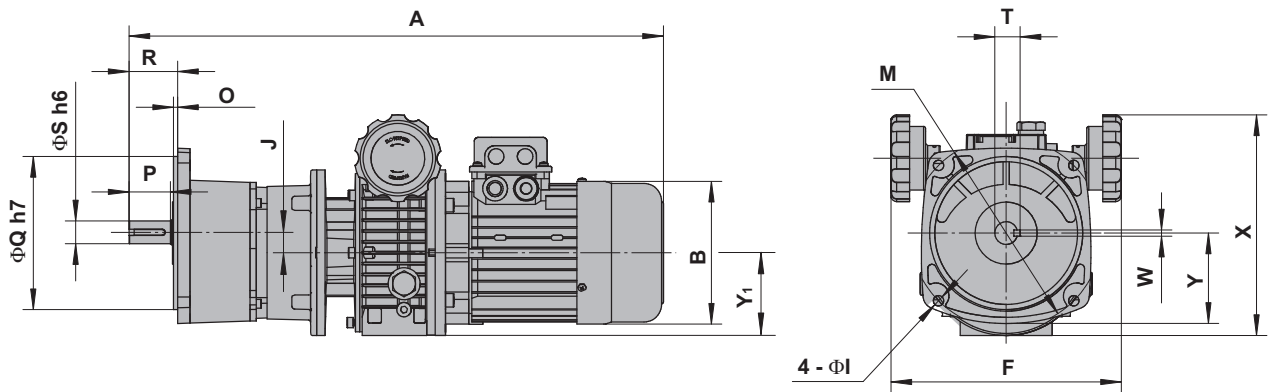
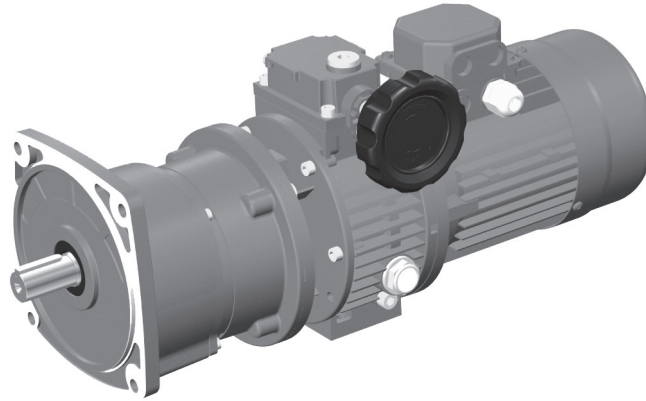
UDL - G3LS COMBINATION OF SPEED VARIATOR AND IEC
INPUT REDUCER WITH FOOT



motor rotate speed 1400 r / min

power kW	output shaft	G3LS I ₁	UDL I ₂	primary outline and dimension-mount										
				A	B	F	J	P	S	T	W	X	Y	Y ₁
0.18	Ø18	5,10,15,20,25	1.6 ~ 8.2	459.5	120	220	16.5	30	18	20.5	6	148	85	70
	Ø22	30,40,50,60 80,100	1.4 ~ 7.0	485.5	120	220	19	40	22	24.5	6	148	90	70
	Ø28	100,120,160,200	1.4 ~ 7.0	499	120	220	23.5	45	28	31	8	148	110	70
0.37	Ø22	5,10,15,20,25	1.4 ~ 7.0	494	141	220	19	40	22	24.5	6	170	90	80
	Ø28	30,40,50,60 80,100	1.4 ~ 7.0	510.5	141	220	23.5	45	28	31	8	170	110	80
	Ø32	100,120,160,200	1.4 ~ 7.0	583.5	141	220	28.5	55	32	35	10	170	130	80
0.75	Ø28	5,10,15,20,25	1.4 ~ 7.0	649.5	160	240	23.5	45	28	31	8	207	110	100
	Ø32	30,40,50,60 80,100	1.4 ~ 7.0	678.5	160	240	28.5	55	32	35	10	207	130	100

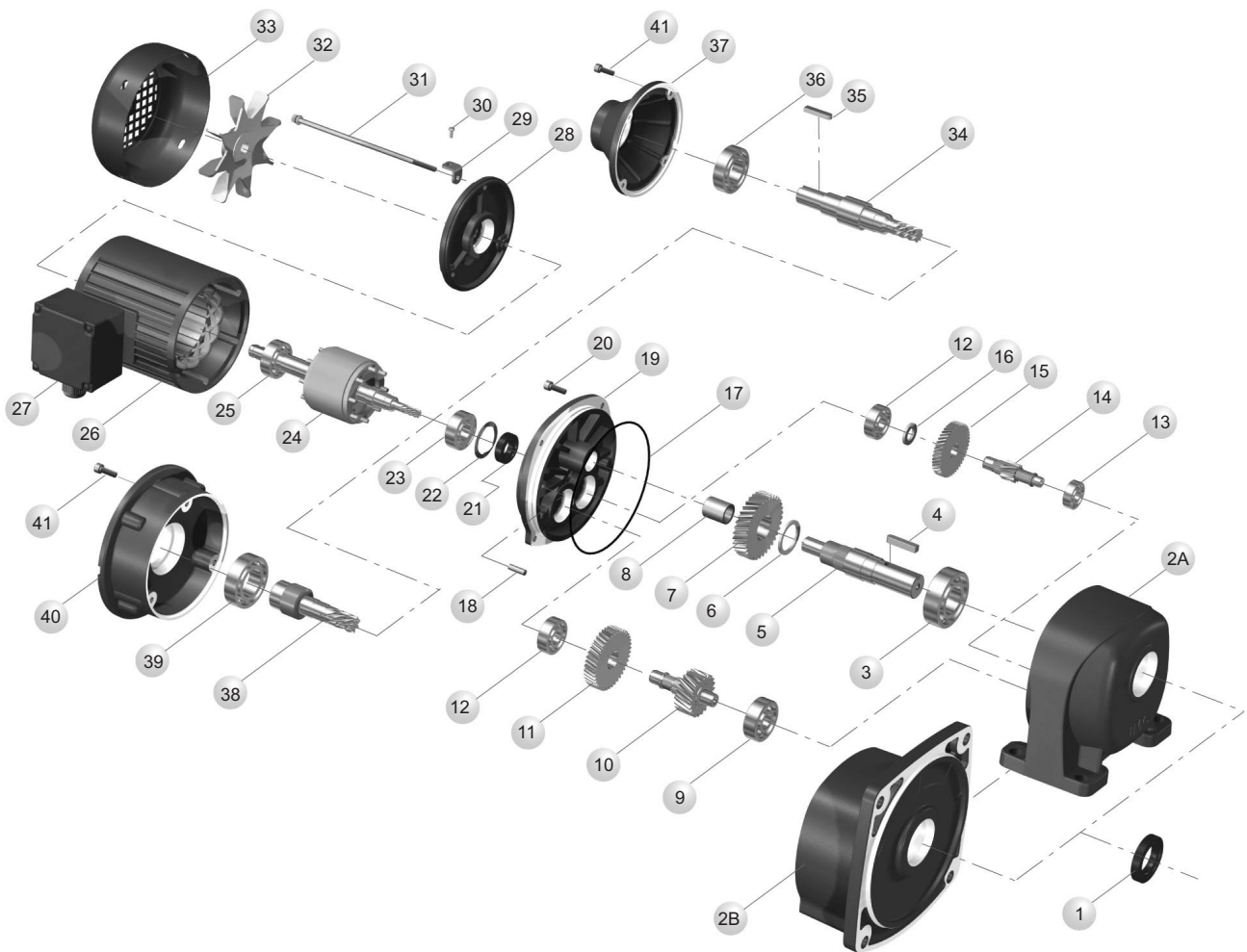
UDL - G3FS COMBINATION OF SPEED VARIATOR AND IEC
INPUT REDUCER WITH FLANGE



motor rotate speed 1400 r / min

power kW	output shaft	G3FS I ₁	UDL I ₂	primary outline and dimension-mount														
				A	B	F	I	J	O	P	Q	R	S	T	W	X	Y	Y1
0.18	Ø18	5,10,15,20,25	1.6 ~ 8.2	459.5	120	220	11	16.5	4	30	145	35	18	20.5	6	148	80	70
	Ø22	30,40,50,60 80,100	1.4 ~ 7.0	485.5	120	220	11	19	4	40	148	47	22	24.5	6	148	89.5	70
	Ø28	100,120,160,200	1.4 ~ 7.0	499	120	220	11	23.5	4	45	170	50	28	31	8	148	105.5	70
0.37	Ø22	5,10,15,20,25	1.4 ~ 7.0	494	141	220	11	19	4	40	148	47	22	24.5	6	170	89.5	80
	Ø28	30,40,50,60 80,100	1.4 ~ 7.0	510.5	141	220	11	23.5	4	45	170	50	28	31	8	170	105.5	80
	Ø32	100,120,160,200	1.4 ~ 7.0	583.5	141	220	13	28.5	4	55	180	60	32	35	10	170	126	80
0.75	Ø28	5,10,15,20,25	1.4 ~ 7.0	649.5	160	240	11	23.5	4	45	170	50	28	31	8	207	105.5	100
	Ø32	30,40,50,60 80,100	1.4 ~ 7.0	678.5	160	240	13	28.5	4	55	180	60	32	35	10	207	126	100

STAGE EXPLODED VIEW



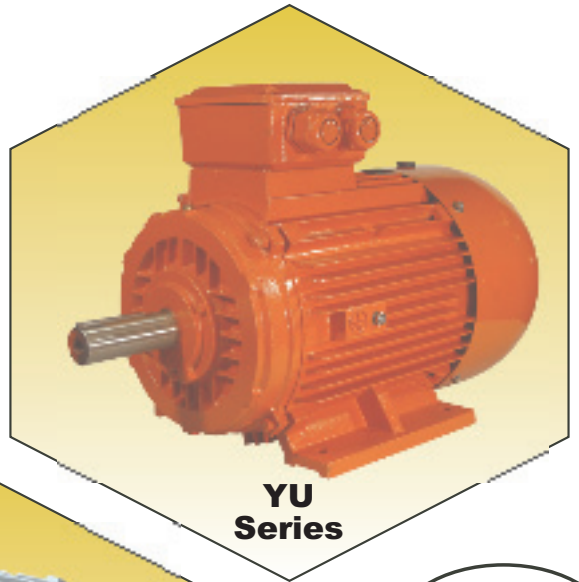
No.	Keterangan	No.	Keterangan	No.	Keterangan
1.	oil seal-output shaft	14.	pinion-2 nd stage	28.	rear cover-motor
2A.	foot housing	15.	gear-1 st stage	29.	bracket
2B.	flange housing	16.	spacer	30.	screw-fan cover
3.	bearing-output shaft	17.	O-RING	31.	long bolt-motor
4.	key-output shaft	18.	pin	32.	cooling fan
5.	output shaft	19.	motor flange	33.	fan cover-motor
6.	spacer	20.	inner hexangular screw	34.	input shaft gear shaft
7.	gear-3 rd stage	21.	oil seal-motor shaft	35.	key-input shaft
8.	oiliness bearing	22.	spring washer	36.	bearing-input shaft gear shaft
9.	bearing-3 rd stage pinion	23.	bearing-motor shaft	37.	input cover
10.	pinion-3 rd stage	24.	rotor	38.	input hole gear shaft
11.	bearing-2 nd stage	25.	bearing-motor shaft	39.	bearing-input hole gear shaft
12.	bearing-motor flange	26.	motor stator	40.	flange-input
13.	bearing-2 nd stage pinion	27.	wire box	41.	Inner hexagon screw

CORRECT THE MALFUNCTION

defective reason		analysis	solution method
noise	knocking	gear surface damaged	contact manufacturer,replace gear set
	continual cacophony	bearing damaged	replace the damaged bearing
	periodical cacophony	particle on the gear surface	check gear surface
	neigh	lack of lubricant	fill with lubricant
	intermittent cacophony	dirty lubricant	replace the new lubricant
shake	fixed foundation shake	deflective mount on the surface	re-adjust fixed pedestal
	output shaft shake	bearing damaged	replace the damaged bearing
	inner gear parts shake	gear damaged	replace the damaged gear
	housing shake	defective gear assembly	re-adjust the gear set
leakage	oil seal leakage	oil seal vulcanize	replace the damaged oil seal
	housing leakage	housing with the sand hole	replace housing with the sand hole
	combined surface leakage	o-ring damaged	replace the damaged o-ring
over-heating	oil seal damaged	over-tighten oil seal	replace over-tighten oil seal
	over-heat housing	over-load	re-calculate load
	lack of lubricant	low lubricant	fill with lubricant
	over-heat motor	<ol style="list-style-type: none"> 1. the temperature of environment is too high . 2. is ness .airi bad . 3. presurre is too high or to low fan has been damaged 	<ol style="list-style-type: none"> 1. take measure to reduce the temp - erature 2. clean out the wind pass- age, and check the motor if cooling 3. adjust electrical source pressure
the motor can't work		electrical source haven't been switched on	check if the switch is contacted well, if the fuse wise is broken or the motor down-lead is broken.
the rotate speed of the output shaft is too low		wrong control connection outside over loading wrong ratio electrical source pressure too low over-load	correct it on the right connection reduce the load check the rotation ratio of the cooling fan and output shaft by hand adjust electrical source pressure reduce load
motor circumrotate,output shaft don't circumrotate		inner gear set damaged	please contact the manufacture to replace the gear set



**Y3
Series**



**YU
Series**

EFF 2



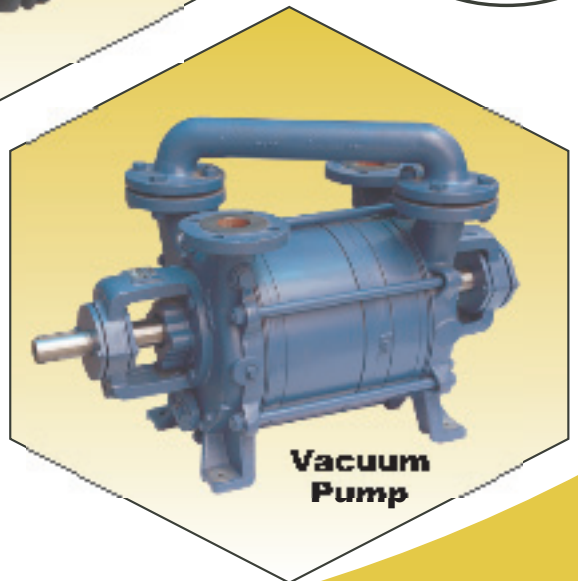
**YA
Series**

**IEC
Standard**

**NEMA
Standard**



**Centrifugal
Pump**



**Vacuum
Pump**



Elektrim Motor

YUEMA
ELEKTRIK MOTOR

Elektrim
Made in Poland **CANTONI**
MOTOR

 **SOUTHERN CROSS**
Made in Australia

speck
pumpen 
Made in Germany



VFD - F Series



VFD - G Series



VFD - V Series



VFD - B Series



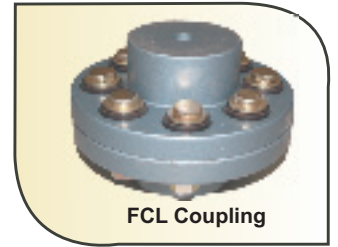
VFD - S Series



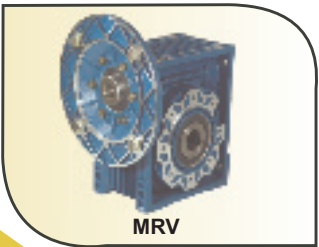
VFD - M Series



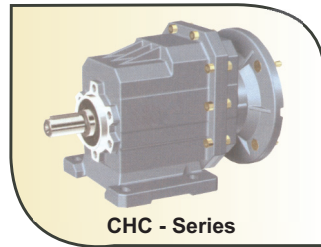
VFD - L Series



FCL Coupling



MRV



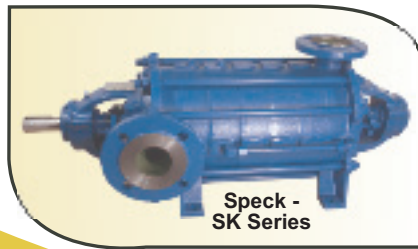
CHC - Series



Koshin - GL Series



Koshin - GC Series



Speck - SK Series



Speck - ASK Series



SOUTHERN CROSS
Made in Australia



Oriental Koshin
Made In Japan

speck
pumpen 
Made In Germany

Elektrim
Made in Poland **CANTONI**
MOTOR

 **DELTA**
DELTA ELECTRONICS, INC.

